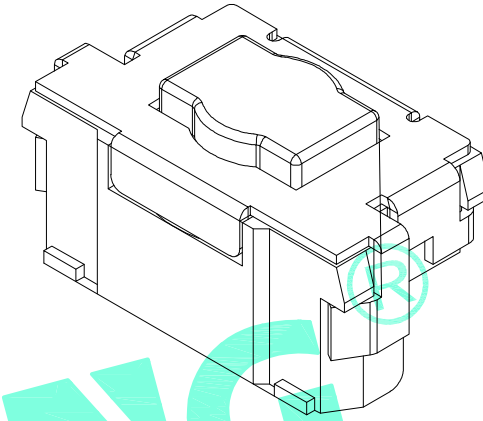
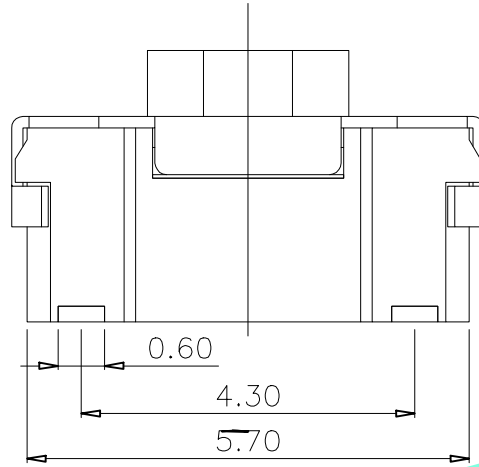
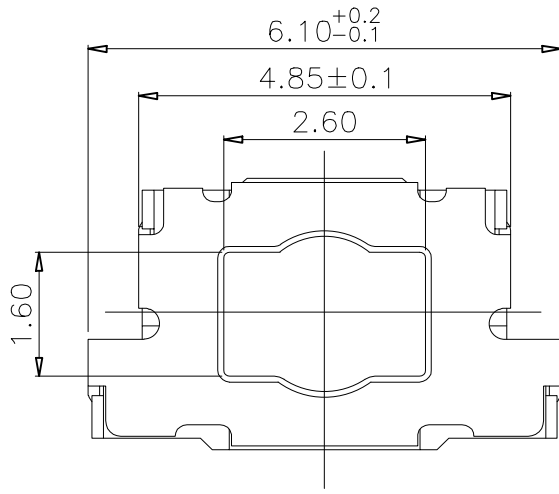


RoHS Compliant

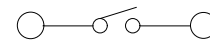
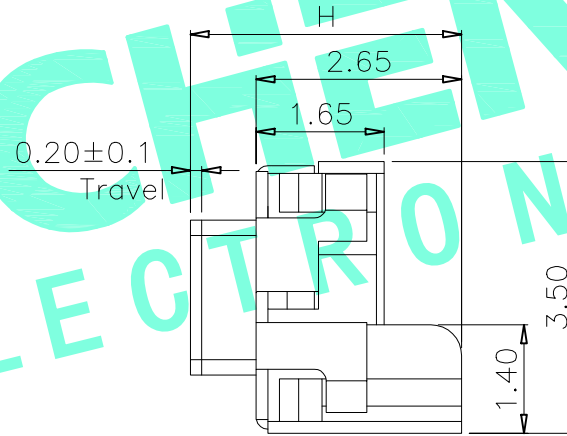
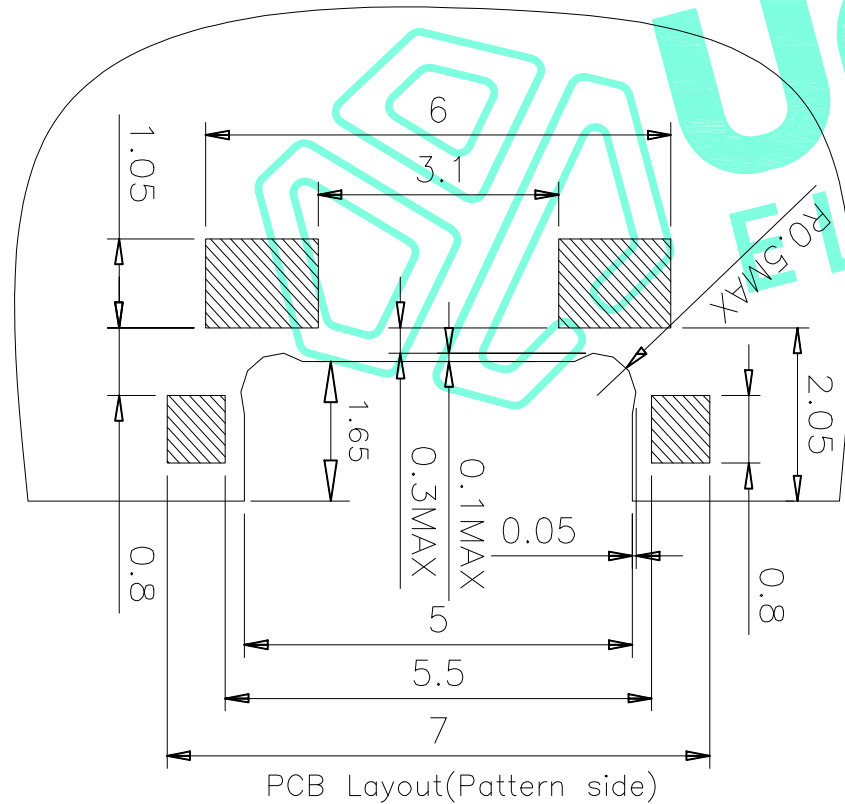
REV. A/0	DESCRIPTION NEW	DESIGN CWF	DATE
----------	-----------------	------------	------



NO.1	
PART NO	H
F	3.0
J	3.5

NO.2	
PART NO	VIGOR
3	180±30
4	250±30

Typical Specifications :  
 1. Rating : DC 12V 50mA  
 2. Life:100,000 Cycles Min.



Circuit Diagram

⑥	Dust cover	1	KAPTON FILM	——
⑤	Terminal	2	Phosphor Bronze	Plating silver
④	Contact	1	F.Ag/SUS	——
③	Base	1	LCP	Black
②	Cover	1	Phosphor Bronze	Plating silver
①	Keystoke	1	LCP	WHITE/Black
ITEM	PART NAME	QTY.	MATERIAL	FINISHING

THESE DRAWINGS AND SPECIFICATIONS ARE THE PROPERTY OF SHENZHEN YUCHENG ELECTRONICS,LTD AND SHALL NOT BE REPRODUCED, COPIED OR USED IN ANY MANNER WITHOUT THE PRIOR WRITTEN CONSENT OF SHENZHEN YUCHENG ELECTRONICS,LTD



深圳市裕诚电子有限公司  
 SHENZHEN YUCHENG ELECTRONICS CO.,LTD

APPROVED:	WEI JIE	GENERAL TOLERANCES	TITLE:	TACT SWITCH
CHECKED:	HONG JIN YUN	30~以上 ±0.30	PART NO:	M2-1872A-NO.1/2
DRAWING:	CHEN YA	10~30 ±0.20	WEBSITE:	www.ycelectron.com
		5~10 ±0.15	REV: A	UNIT: mm
		~ 5 ±0.10	SHEET: 1 / 1	SCALE: /
				SHEET: A4

