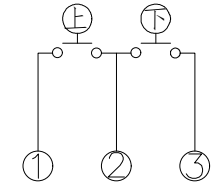
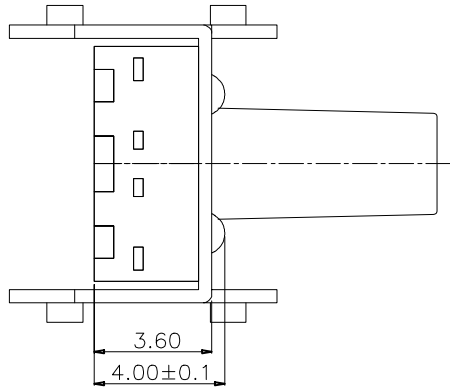
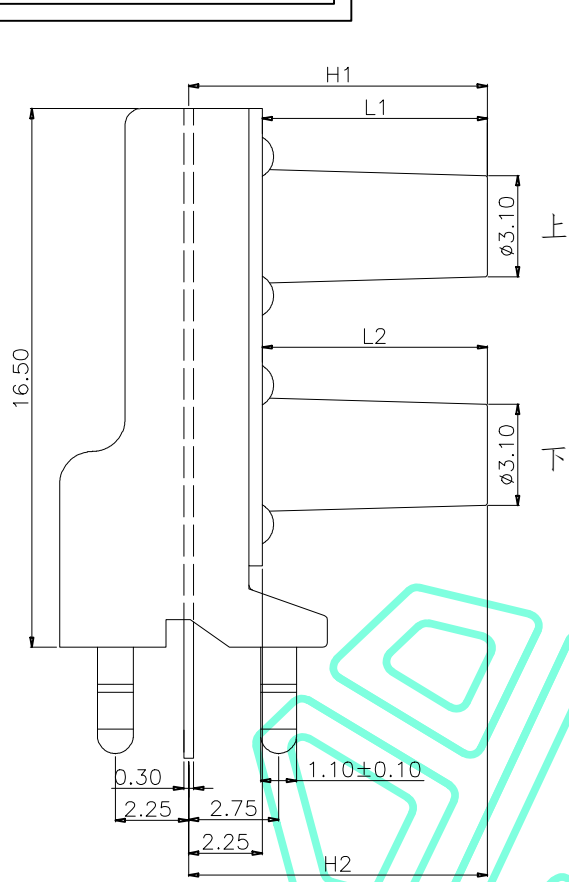


RoHS Compliant

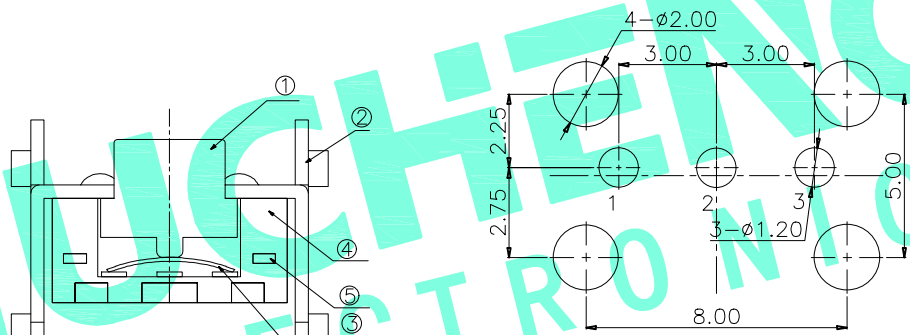
REV. A/0	DESCRIPTION NEW	DESIGN CWF	DATE
----------	-----------------	------------	------



Circuit diagram

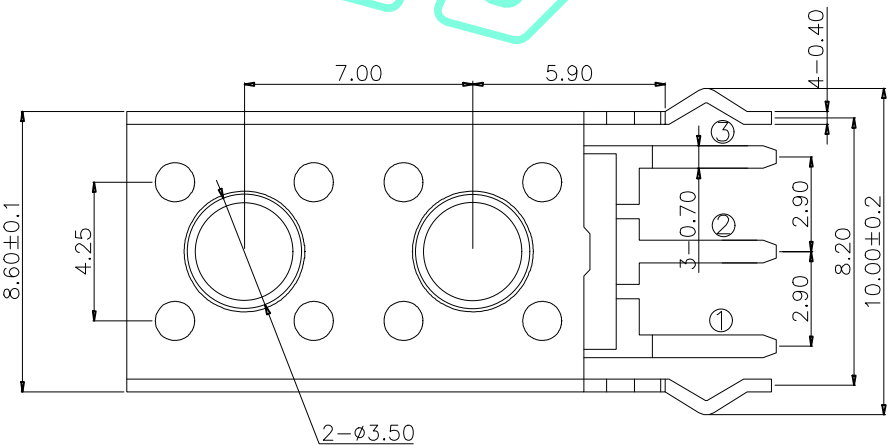
NO.1				
PART NO	L1	L2	H1	H2
A: 双联上5下5	1.4	1.4	3.65	3.65
B: 双联上5下10	1.4	6.4	3.65	8.65
C: 双联上7下10.5	3.4	6.9	5.65	9.15
D: 双联上10下5	6.4	1.4	8.65	3.65
E: 双联上10下7	6.4	3.4	8.65	5.65
F: 双联上10下10	6.4	6.4	8.65	8.65
G: 双联上11.5下11.5	7.9	7.9	10.15	10.15
H: 双联上10.5下10.5	6.9	6.9	9.15	9.15
L: 双联上15.5下5	11.9	1.4	14.15	3.65
M: 双联上11.5下17	7.9	13.4	10.15	15.65
N: 双联上17下17	13.4	13.4	15.65	15.65

NO.2	
PART NO	vigor
3	180±30
4	250±30



PCB Layout(Pattern Side)

- Typical Specifications :
1. Rating : DC 12V 50mA
  2. Contact Resistance: 50mΩ Max
  3. Insulation Resistance: 100MΩ Min.
  4. Operation Stroke: 0.2±0.05mm
  5. Life:50,000 Cycles Min.



⑤	Terminal	3	Brass(0.30t)	Plating silver
④	Base	1	PPA	Black
③	Contact	2	Phosphor Bronze	F.Ag
②	Cover	1	SPCC	Plating Ni
①	Keystoke	2	PPA	Black
ITEM	PART NAME	QTY.	MATERIAL	FINISHING

THESE DRAWINGS AND SPECIFICATIONS ARE THE PROPERTY OF SHENZHEN YUCHENG ELECTRONICS ,LTD.AND SHALL NOT BE REPRODUCED,COPIED OR USED IN ANY MANNER WITHOUT THE PRIOR WRITTEN CONSENT OF SHENZHEN YUCHENG ELECTRONICS.,LTD

APPROVED: WEI JIE  
 CHECKED: HONG JIN YUN  
 DRAWING: CHEN YA

**YUCHENG** 深圳市裕诚电子有限公司  
 ELECTRONICS SHENZHEN YUCHENG ELECTRONICS CO.,LTD

GENERAL TOLERANCES		TITLE: TACT SWITCH	
30~以上	±0.30	PART NO: M2-1725P-NO.1/2	
10~30	±0.20	WEBSITE: www.ycelectron.com	
5~10	±0.15	REV: A UNIT: mm SCALE: / SHEET: A4	
~ 5	±0.10	SHEET: 1 / 1	