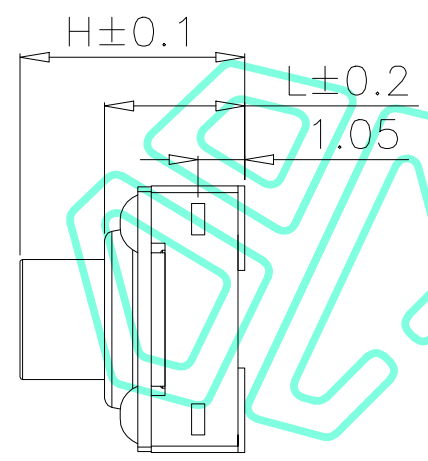
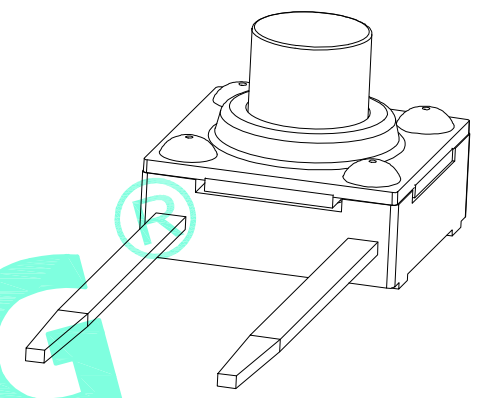
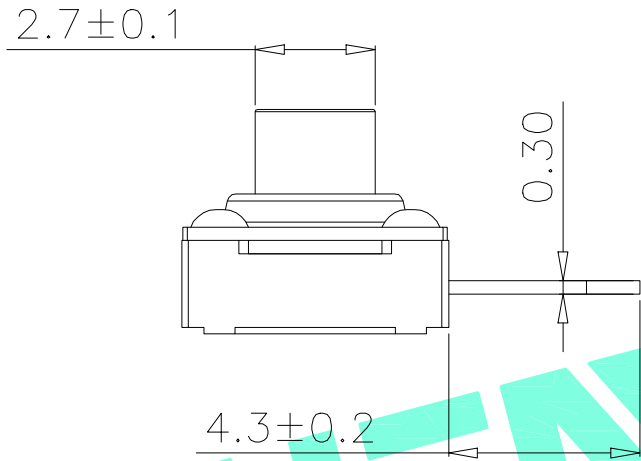
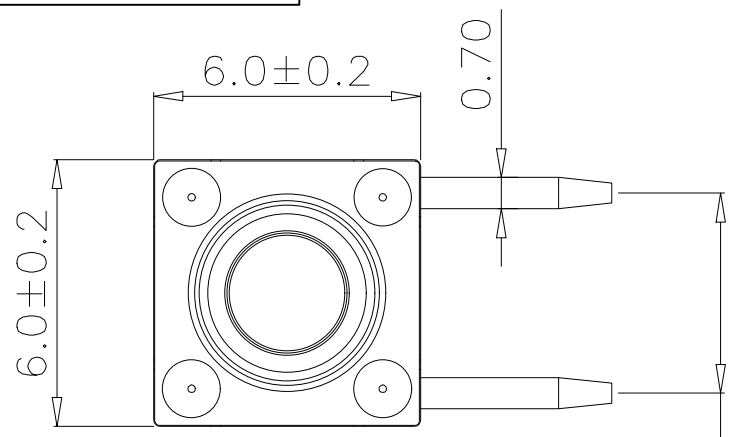


RoHS Compliant

REV. A/0	DESCRIPTION NEW	DESIGN CWF	DATE
-------------	--------------------	---------------	------

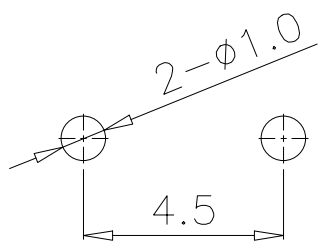


YUCHENG ELECTRONICS

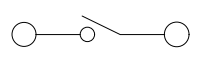
NOTE:  
 Rating: DC 12V 50mA  
 Forcel: 250±50gf  
 Travel: 0.3±0.1mm  
 Life: 100,000 Cycles  
 Waterproof: IP67

NO.1			
PART NO	H	L	Keystoke
B	3.3	2.8	Black
A	4.3	3.15	Red
C	5.0		
G	7.0		
H	4.5		

⑥	Waterproof pad	1	Silica gel	Black
⑤	Terminal	4	Brass	Plating silver
④	Contact	1	F.Ag/SUS	——
③	Base	1	PPA	Black
②	Cover	1	SUS	——
①	Keystoke	1	PPA	Red/Black
ITEM	PART NAME	QTY.	MATERIAL	FINISHING



PCB Layout(Pattern side)



Circuit Diagram

THESE DRAWINGS AND SPECIFICATIONS ARE THE PROPERTY OF SHENZHEN YUCHENG ELECTRONICS.LTD AND SHALL NOT BE REPRODUCED, COPIED OR USED IN ANY MANNER WITHOUT THE PRIOR WRITTEN CONSENT OF SHENZHEN YUCHENG ELECTRONICS.LTD

APPROVED: WEI JIE  
 CHECKED: HONG JIN YUN  
 DRAWING: CHEN YA

**YUCHENG ELECTRONICS** 深圳市裕诚电子有限公司  
 SHENZHEN YUCHENG ELECTRONICS CO.,LTD

GENERAL TOLERANCES		TITLE:		TACT SWITCH	
30~以上	±0.30	PART NO:		M2-1713P-NO.1	
10~30	±0.20	WEBSITE :		www.ycelectron.com	
5~10	±0.15	REV: A		UNIT: mm	SCALE: /
~ 5	±0.10	SHEET: 1 / 1		SHEET: A4	☉