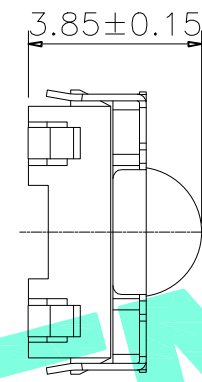
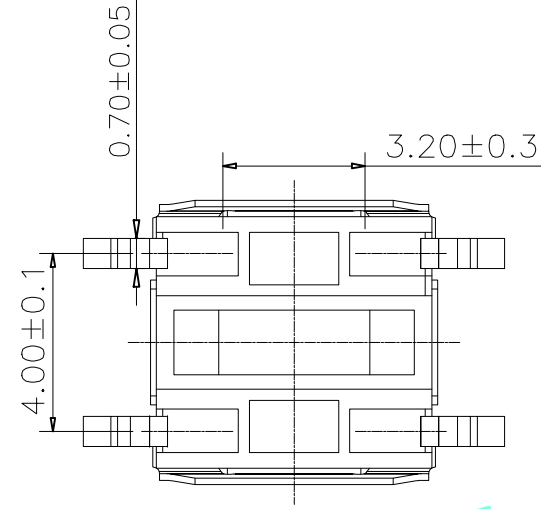
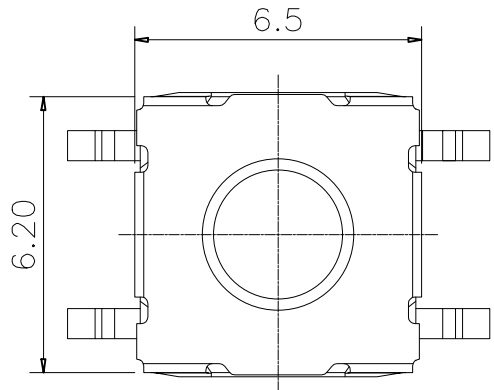
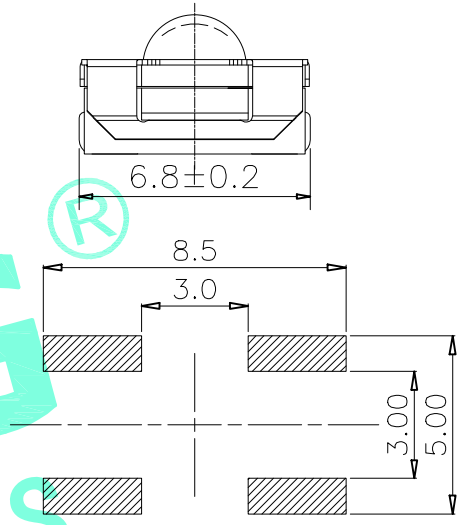


RoHS Compliant

REV. A/0	DESCRIPTION NEW	DESIGN CWF	DATE
----------	-----------------	------------	------



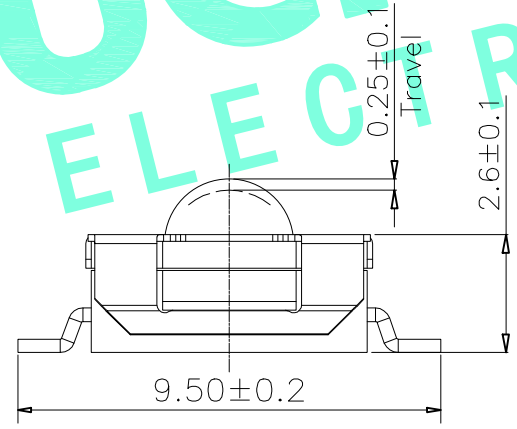
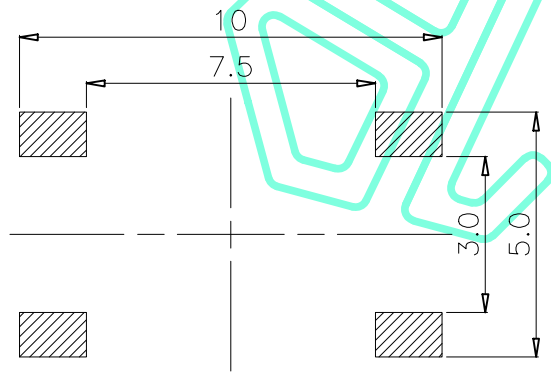
U型脚款 M2-1732U-NO.1



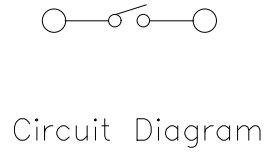
PCB Layout(Pattern side)

NO.1	
PART NO	vigor
4	250±30
6	400±60

PCB Layout(Pattern side)



⑤	Terminal	4	Brass	Plating silver
④	Contact	1	F.Ag/SUS	Natural
③	Base	1	PPA	Black
②	Cover	1	SPCC	—
①	Keystoke	1	Silica gel	Red
ITEM	PART NAME	QTY.	MATERIAL	FINISHING



THESE DRAWINGS AND SPECIFICATIONS ARE THE PROPERTY OF SHENZHEN YUCHENG ELECTRONICS,LTD.AND SHALL NOT BE REPRODUCED,COPIED OR USED IN ANY MANNER WITHOUT THE PRIOR WRITTEN CONSENT OF SHENZHEN YUCHENG ELECTRONICS,LTD

APPROVED: WEI JIE
 CHECKED: HONG JIN YUN
 DRAWING: CHEN YA

UCHENG 深圳市裕诚电子有限公司
 ELECTRONICS SHENZHEN YUCHENG ELECTRONICS CO.,LTD

GENERAL TOLERANCES		TITLE: TACT SWITCH	
30~以上	±0.30	PART NO: M2-1732A-NO.1	
10~30	±0.20	WEBSITE: www.ycelectron.com	
5~10	±0.15	REV: A UNIT: mm SCALE: / SHEET: A4	
~ 5	±0.10		
SHEET: 1 / 1			