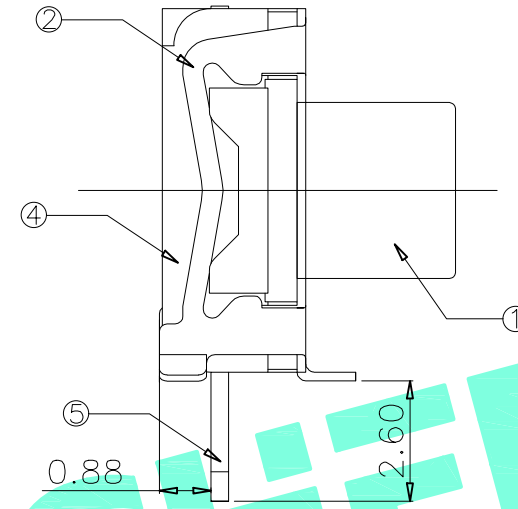
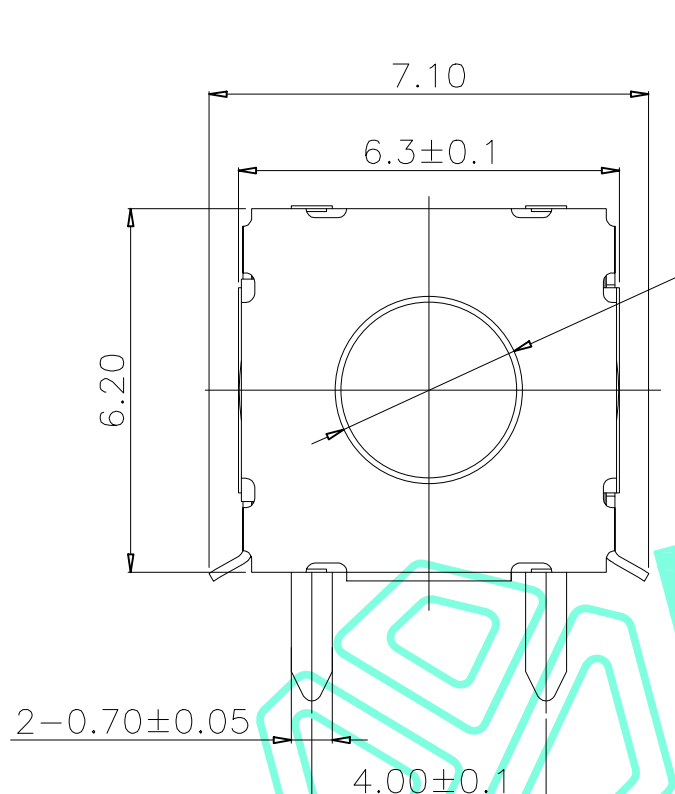


RoHS Compliant

REV.	DESCRIPTION	DESIGN	DATE
A/0	NEW	CWF	

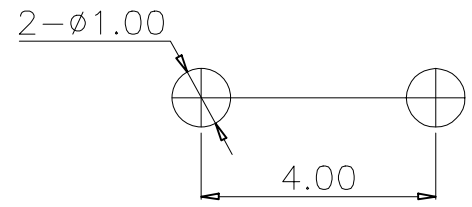


YUCHENG ELECTRONICS

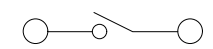
Typical Specifications :
 1. Rating : DC 12V 50mA
 2. Life:1,000,000 Cycles Min.

NO.1	
PART NO	H
A	3.5
C	5

NO.2	
PART NO	vigor
3	180±30
4	250±30
5	350±50



PCB Layout(Pattern Side)



Circuit diagram

ITEM	PART NAME	QTY.	MATERIAL	FINISHING
⑤	Terminal	2	Brass(0.30t)	Plating silver
④	Base	1	PA6T	Black
③	Contact	1	F.Ag/SUS	———
②	Cover	1	SUS	———
①	Keystoke	1	Silica gel	Blue

THESE DRAWINGS AND SPECIFICATIONS ARE THE PROPERTY OF SHENZHEN YUCHENG ELECTRONICS.LTD AND SHALL NOT BE REPRODUCED, COPIED OR USED IN ANY MANNER WITHOUT THE PRIOR WRITTEN CONSENT OF SHENZHEN YUCHENG ELECTRONICS.LTD

APPROVED: WEI JIE
 CHECKED: HONG JIN YUN
 DRAWING: CHEN YA

YUCHENG ELECTRONICS 深圳市裕诚电子有限公司
 SHENZHEN YUCHENG ELECTRONICS CO.,LTD

GENERAL TOLERANCES		TITLE:	
30~以上	±0.30	TACT SWITCH	
10~30	±0.20	PART NO: M2-1728A-NO.1/2	
5~10	±0.15	WEBSITE : www.ycelectron.com	
~ 5	±0.10	REV: A	
SHEET:	1 / 1	UNIT: mm	SCALE: /
		SHEET: A4	④