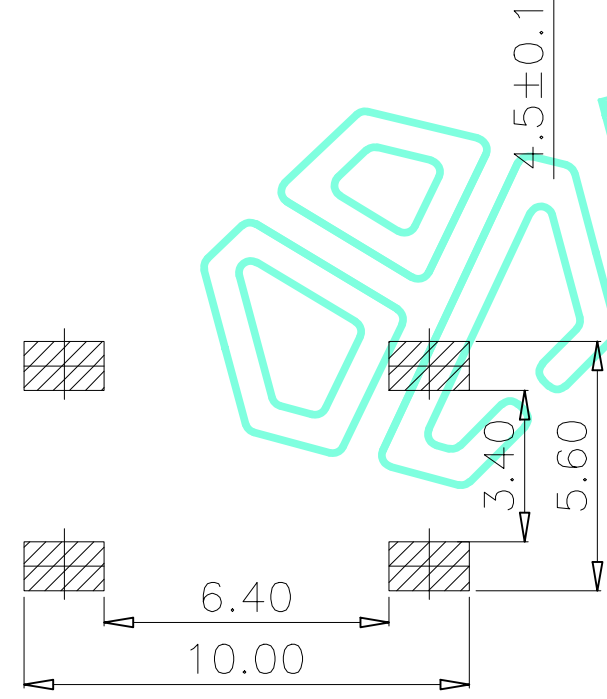
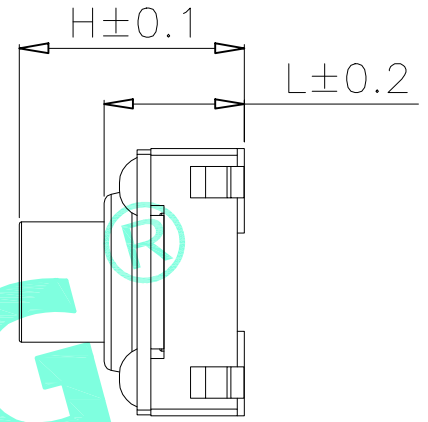
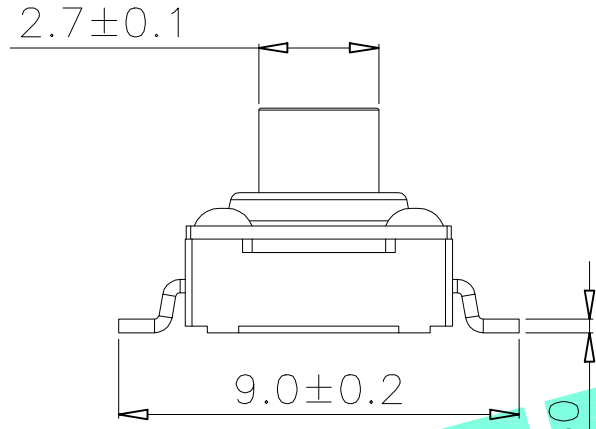
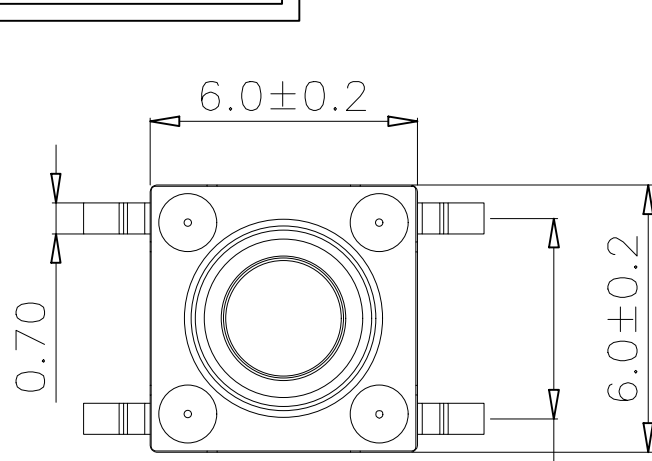


RoHS Compliant

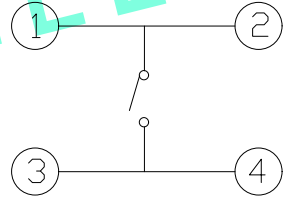
REV. A/0	DESCRIPTION NEW	DESIGN CWF	DATE
----------	-----------------	------------	------



UCHENG ELECTRONICS

NOTE:  
 Rating: DC 12V 50mA  
 Forcel: 250±50gf  
 Travel: 0.3±0.1mm  
 Life: 100,000 Cycles  
 Waterproof: IP67

NO.1			
PART NO	H	L	Keystoke
B	3.3	2.8	Black
A	4.3	3.15	Red
C	5.0		
G	7.0		
H	4.5		



Circuit Diagram

ITEM	PART NAME	QTY.	MATERIAL	FINISHING
⑥	Waterproof pad	1	Silica gel	Black
⑤	Terminal	4	Brass	Plating silver
④	Contact	1	F.Ag/SUS	—
③	Base	1	PPA	Black
②	Cover	1	SUS	—
①	Keystoke	1	PPA	Red/Black

PCB Layout(Pattern side)

THESE DRAWINGS AND SPECIFICATIONS ARE THE PROPERTY OF SHENZHEN YUCHENG ELECTRONICS.,LTD.AND SHALL NOT BE REPRODUCED,COPIED OR USED IN ANY MANNER WITHOUT THE PRIOR WRITTEN CONSENT OF SHENZHEN YUCHENG ELECTRONICS.,LTD

**深圳市裕诚电子有限公司**  
 SHENZHEN YUCHENG ELECTRONICS CO.,LTD

APPROVED:	WEI JIE	GENERAL TOLERANCES	TITLE:	TACT SWITCH
CHECKED:	HONG JIN YUN	30~以上 ±0.30	PART NO:	M2-1715A-NO.1
DRAWING:	CHEN YA	10~30 ±0.20	WEBSITE:	www.ycelectron.com
		5~10 ±0.15	REV: A	UNIT: mm
		~ 5 ±0.10	SCALE: /	SHEET: A4
		SHEET: 1 / 1		