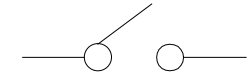
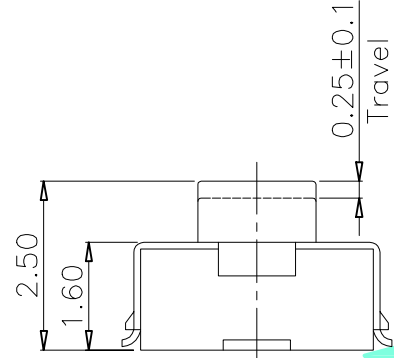
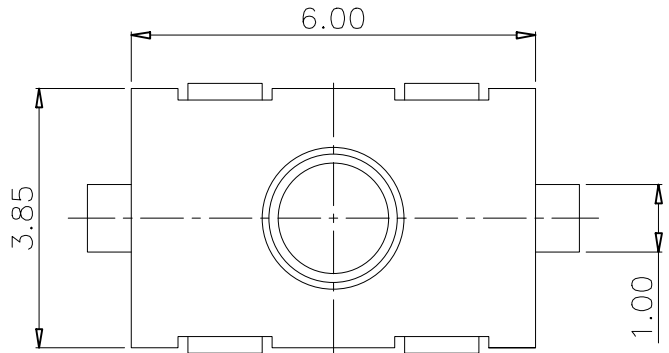
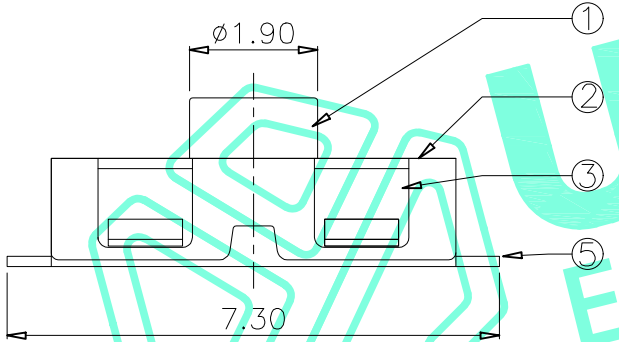


RoHS Compliant

REV. A/0	DESCRIPTION NEW	DESIGN CWF	DATE
-------------	--------------------	---------------	------



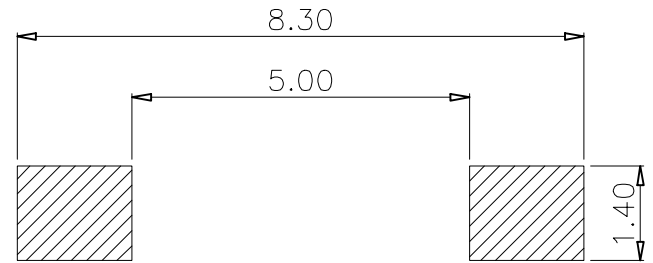
Ⓜ Circuit diagram



- Notes:
- 1.Rating: 12V DC 50ma
 - 2.Contact resistance: 100mΩ Max
 - 3.Insulation resistance: 100MΩ 250vac for 1Min
 - 4.Dielectric strength: 250V AC(50/60hz) for 1Min
 - 5.Life test:100,000 Cycles
 - 6.Travel: 0.25±0.1mm

NO.1	
PART NO	vigor
1	90±30
2	130±30
3	180±30
4	250±30
5	350±50

NO.2	
PART NO	MATERIAL/QTY
S	SUS/1PC
D	SUS/2PCS



PCB Layout (Pattern Side)

⑤	Terminal	2	Phosphor Bronze	Plating silver
④	Contact	1	SUS	Plating silver
③	Base	1	Nylon	Black
②	Cover	1	SUS	Natural
①	Keystone	1	Silica gel	Black
ITEM	PART NAME	QTY.	MATERIAL	FINISHING

THESE DRAWINGS AND SPECIFICATIONS ARE THE PROPERTY OF SHENZHEN YUCHENG ELECTRONICS.,LTD AND SHALL NOT BE REPRODUCED, COPIED OR USED IN ANY MANNER WITHOUT THE PRIOR WRITTEN CONSENT OF SHENZHEN YUCHENG ELECTRONICS.,LTD

APPROVED: WEI JIE
 CHECKED: HONG JIN YUN
 DRAWING: CHEN YA

YUCHENG ELECTRONICS 深圳市裕诚电子有限公司
 SHENZHEN YUCHENG ELECTRONICS CO.,LTD

GENERAL TOLERANCES	TITLE:	TACT SWITCH		
30~以上 ±0.30	PART NO:	M2-1718P-NO.1/2		
10~30 ±0.20	WEBSITE:	www.ycelectron.com		
5~10 ±0.15	REV: A	UNIT: mm	SCALE: /	SHEET: A4
~ 5 ±0.10	SHEET: 1 / 1			