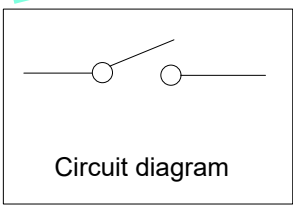
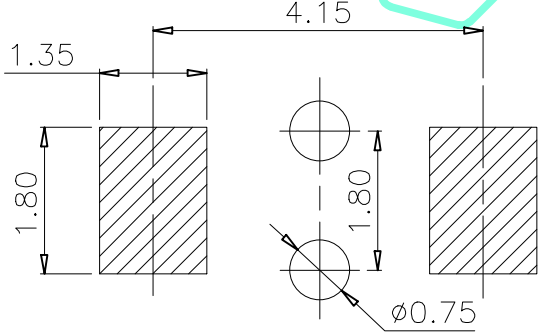
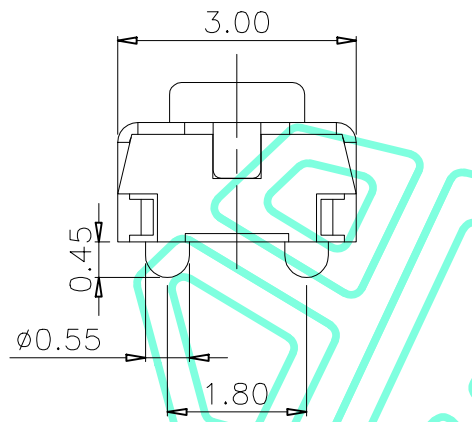
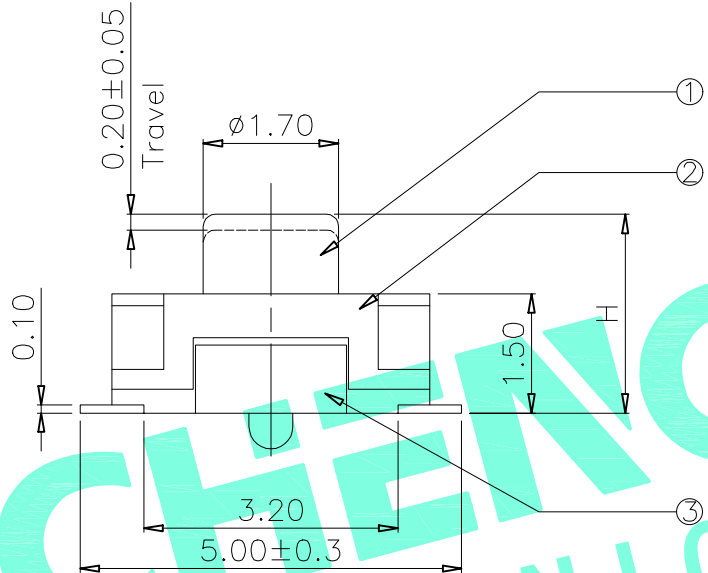
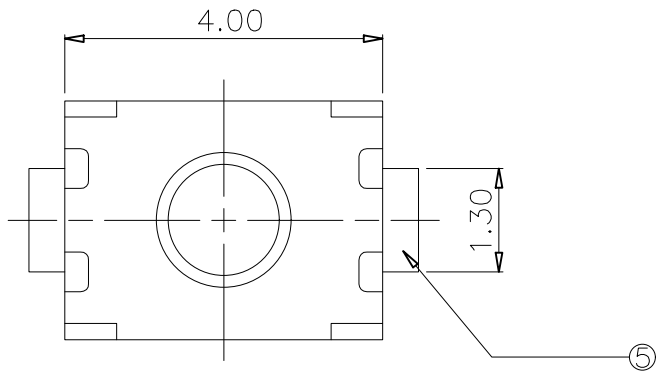


RoHS Compliant

REV. A/0	DESCRIPTION NEW	DESIGN CWF	DATE
----------	-----------------	------------	------

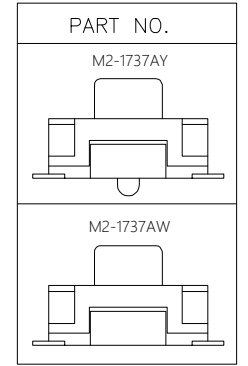


NO.1

PART NO	H
A	2.0
B	2.5

NO.2

PART NO	VIGOR
3	180±35
4	250±35



ITEM	PART NAME	QTY.	MATERIAL	FINISHING
⑥	Dust cover	1	KAPTON FILM	—
⑤	Terminal	2	Brass(0.30t)	Plating silver
④	Contact	2	F.Ag/SUS	—
③	Base	1	Nylon	Black
②	Cover	1	SUS	Plating Nickel
①	Keystoke	1	Silica gel	Blue

THESE DRAWINGS AND SPECIFICATIONS ARE THE PROPERTY OF SHENZHEN YUCHENG ELECTRONICS.,LTD.AND SHALL NOT BE REPRODUCED,COPIED OR USED IN ANY MANNER WITHOUT THE PRIOR WRITTEN CONSENT OF SHENZHEN YUCHENG ELECTRONICS.,LTD

APPROVED: WEI JIE

CHECKED: HONG JIN YUN

DRAWING: CHEN YA

UCHENG 深圳市裕诚电子有限公司
ELECTRONICS SHENZHEN YUCHENG ELECTRONICS CO.,LTD

GENERAL TOLERANCES	TITLE:	TACT SWITCH
30~以上 ±0.30	PART NO:	M2-1737A-NO.1/2
10~30 ±0.20	WEBSITE:	www.ycelectron.com
5~10 ±0.15	REV: A	UNIT: mm
~ 5 ±0.10	SHEET: 1 / 1	SCALE: /
		SHEET: A4

PCB Layout