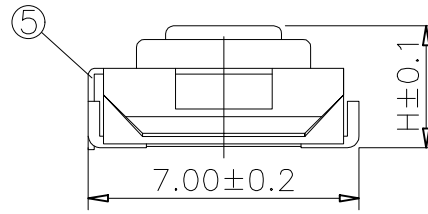
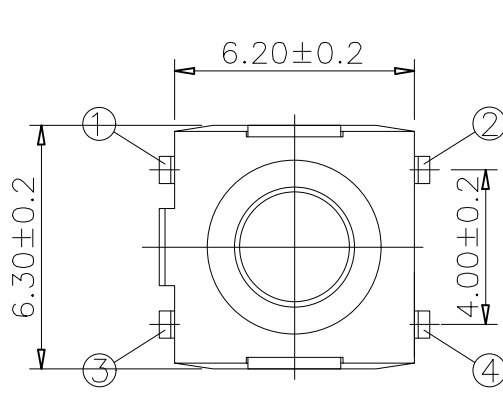
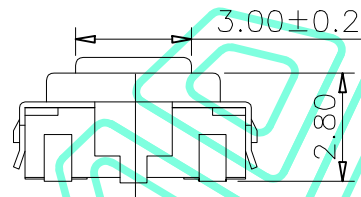


RoHS Compliant

REV. A/0	DESCRIPTION NEW	DESIGN CWF	DATE
----------	-----------------	------------	------



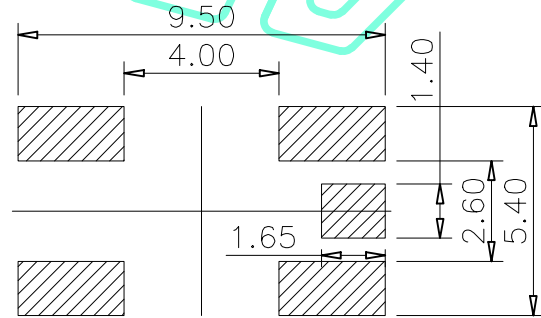
PART NO.	Circuit Diagram
M2-1716P5	
M2-1716P4	



NO.2	
PART NO	H
A	3.2
B	3.6

NO.3	
PART NO	vigor
3	180±30
4	250±40

Typical Specifications  
 1.Rating : DC 12V 50mA  
 2.Contact Resistance: ≤100mΩ  
 3.Insulation Resistance: ≥100mΩ  
 4.Travel:0.25±0.1mm  
 5.Life : 100,000 Cycles



PCB Layout(Pattern side)

ITEM	PART NAME	QTY.	MATERIAL	FINISHING
⑥	Cover	1	Phosphor copper	Tin Plated
⑤	Keystoke	1	PPA	Brown
④	Dustproof film	1	PI	Yellow
③	Contact	1	F.Ag/SUS	Plating silver
②	Base	1	PPA	Black
①	Terminal	4	Brass(0.3t)	Plating silver

THESE DRAWINGS AND SPECIFICATIONS ARE THE PROPERTY OF SHENZHEN YUCHENG ELECTRONICS.,LTD AND SHALL NOT BE REPRODUCED, COPIED OR USED IN ANY MANNER WITHOUT THE PRIOR WRITTEN CONSENT OF SHENZHEN YUCHENG ELECTRONICS.,LTD

APPROVED: WEI JIE  
 CHECKED: HONG JIN YUN  
 DRAWING: CHEN YA

**UCHENG** ELECTRONICS 深圳市裕诚电子有限公司  
 SHENZHEN YUCHENG ELECTRONICS CO.,LTD

GENERAL TOLERANCES		TITLE:	
30~以上	±0.30	TACT SWITCH	
10~30	±0.20	PART NO:	M2-1716P-NO.1/2
5~10	±0.15	WEBSITE :	www.ycelectron.com
~ 5	±0.10	REV: A	UNIT: mm
SHEET: 1 / 1		SCALE: /	SHEET: A4

