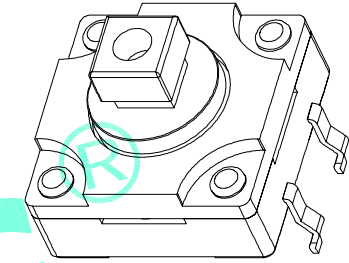
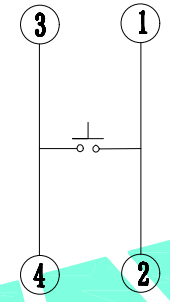
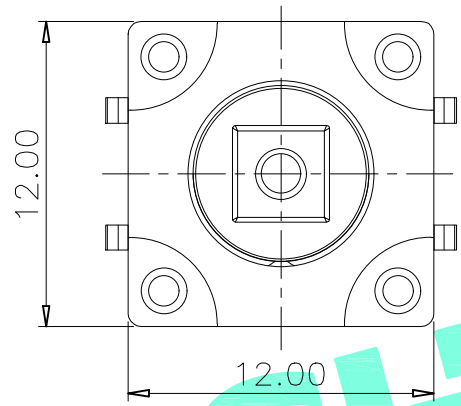
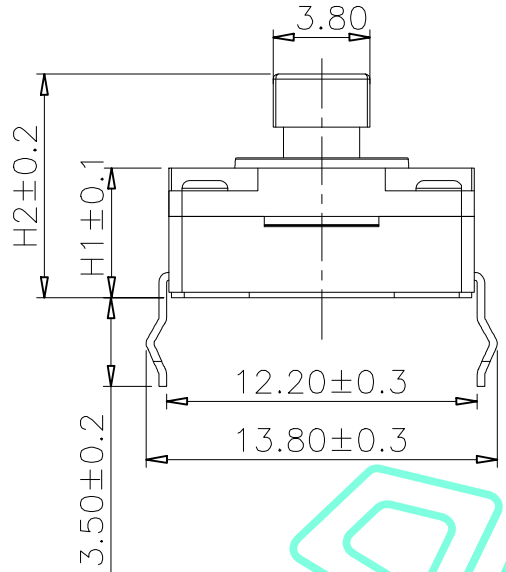


RoHS Compliant

REV. A/0	DESCRIPTION NEW	DESIGN CWF	DATE
-------------	--------------------	---------------	------

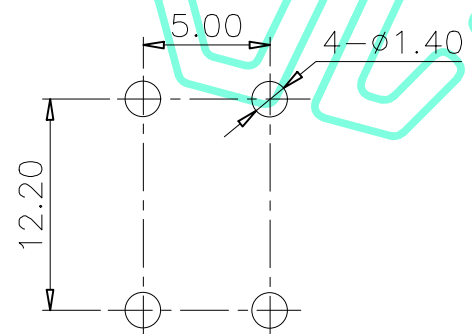


Circuit Diagram

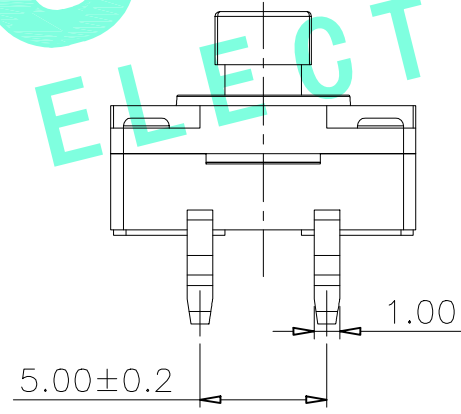
NO.1		
PART NO	H1	H2
A	3.8	7.3
B	5.1	8.8

Typical Specifications  
 1. Rating : DC 12V 30mA  
 2. Life : 50,000 Cycles  
 3. IP Rating: IP67

NO.2	
PART NO	vigor
4	250±30



PCB Layout(Pattern side)



ITEM	PART NAME	QTY.	MATERIAL	FINISHING
⑦	Gasket	1	Nylon	———
⑥	Waterproof Silicone	1	Silica gel	———
⑤	Terminal	4	Brass(0.3t)	Plating silver
④	Contact	1	F.Ag/C5210	———
③	Base	1	Nylon	Black
②	Cover	1	Nylon	———
①	Keystoke	1	Nylon	Black

THESE DRAWINGS AND SPECIFICATIONS ARE THE PROPERTY OF SHENZHEN YUCHENG ELECTRONICS.LTD.AND SHALL NOT BE REPRODUCED.COPIED OR USED IN ANY MANNER WITHOUT THE PRIOR WRITTEN CONSENT OF SHENZHEN YUCHENG ELECTRONICS.LTD

APPROVED: WEI JIE  
 CHECKED: HONG JIN YUN  
 DRAWING: CHEN YA

**UCHENG ELECTRONICS** 深圳市裕诚电子有限公司  
 SHENZHEN YUCHENG ELECTRONICS CO.,LTD

GENERAL TOLERANCES	TITLE:	TACT SWITCH		
30~以上 ±0.30	PART NO:	M2-1755A-NO.1/2		
10~30 ±0.20	WEBSITE:	www.ycelectron.com		
5~10 ±0.15	REV: A	UNIT: mm	SCALE: /	SHEET: A4
~ 5 ±0.10	SHEET: 1 / 1			