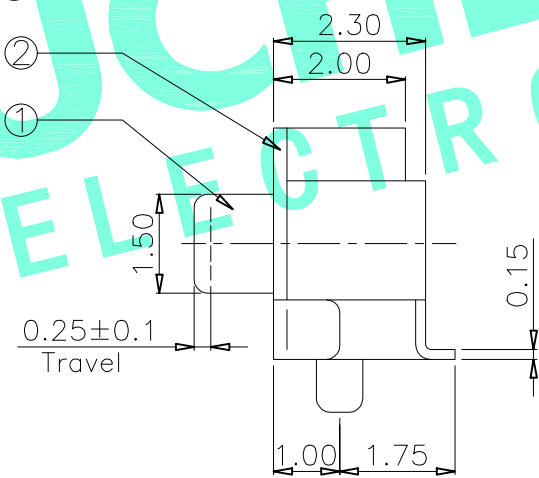
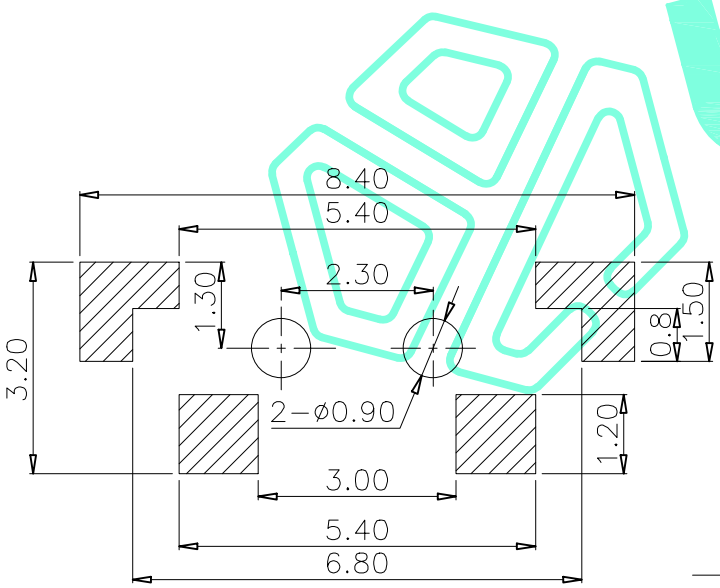
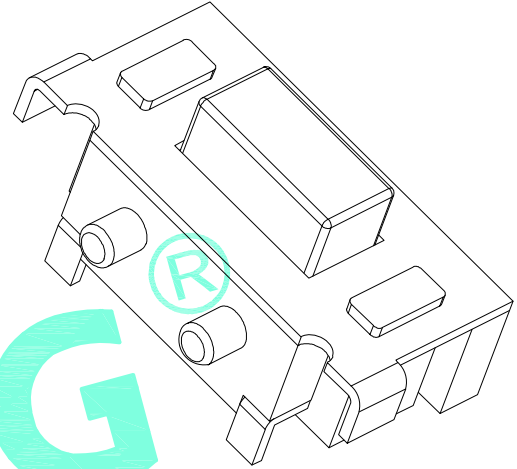
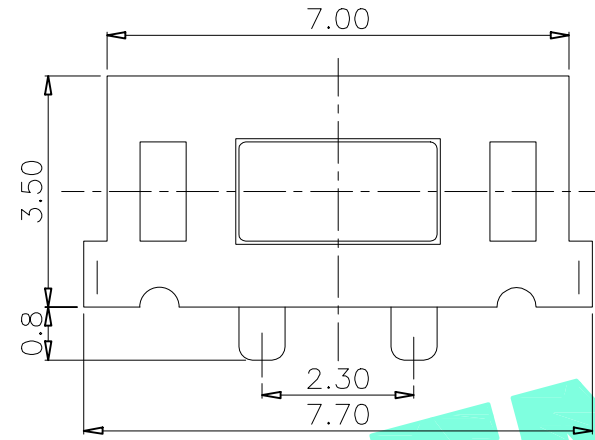
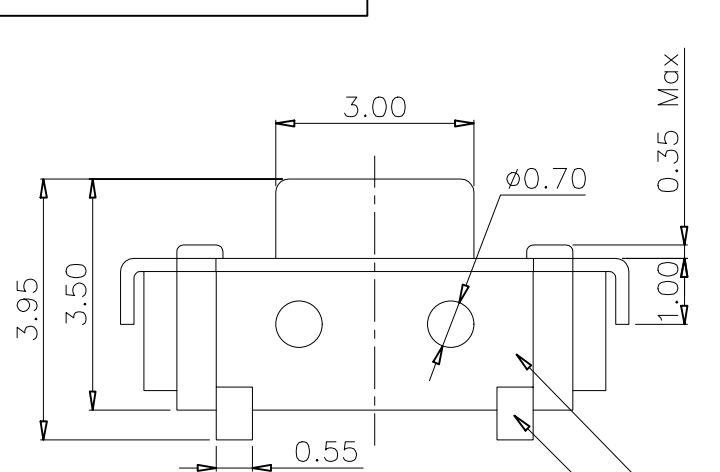


RoHS Compliant

REV.	DESCRIPTION	DESIGN	DATE
A/0	NEW	CFW	



PART NO.	
M2-1721AY	M2-1721AW

NO.1	
PART NO	VIGOR
3	180±35
4	250±35

ITEM	PART NAME	QTY.	MATERIAL	FINISHING
⑤	Terminal	2	Phosphor Bronze	Plating silver
④	Contact	2	F.Ag/SUS	Natural
③	Base	1	LCP	White
②	Cover	1	Brass(0.20t)	Plating Nickel
①	Keystoke	1	Silica gel Δ	Black

PCB Layout recommended

Circuit diagram

THESE DRAWINGS AND SPECIFICATIONS ARE THE PROPERTY OF SHENZHEN YUCHENG ELECTRONICS,LTD AND SHALL NOT BE REPRODUCED,COPIED OR USED IN ANY MANNER WITHOUT THE PRIOR WRITTEN CONSENT OF SHENZHEN YUCHENG ELECTRONICS,LTD

YUCHENG ELECTRONICS 深圳市裕诚电子有限公司
SHENZHEN YUCHENG ELECTRONICS CO.,LTD

APPROVED:	WEI JIE	GENERAL TOLERANCES	TITLE:	TACT SWITCH
CHECKED:	HONG JIN YUN	30~以上 ±0.30	PART NO:	M2-1721A-NO.1
DRAWING:	CHEN YA	10~30 ±0.20	WEBSITE:	www.ycelectron.com
		5~10 ±0.15	REV: A	UNIT: mm
		~ 5 ±0.10		SCALE: /
		SHEET: 1 / 1		SHEET: A4

