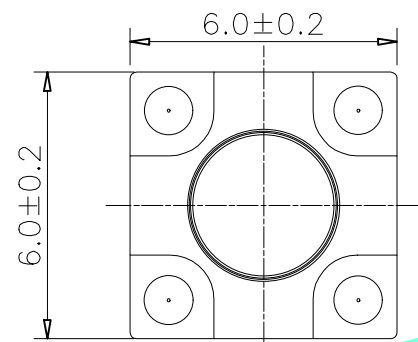
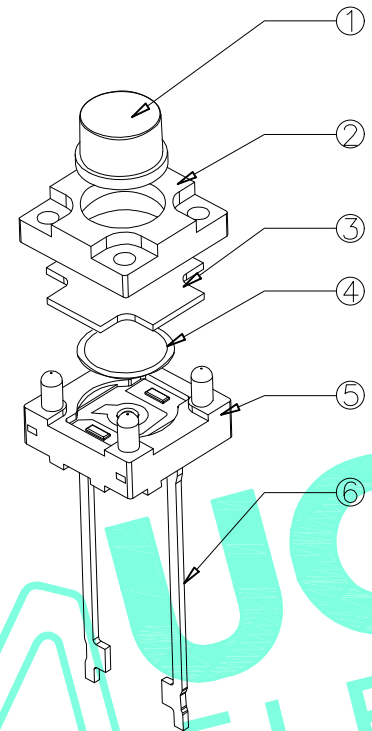
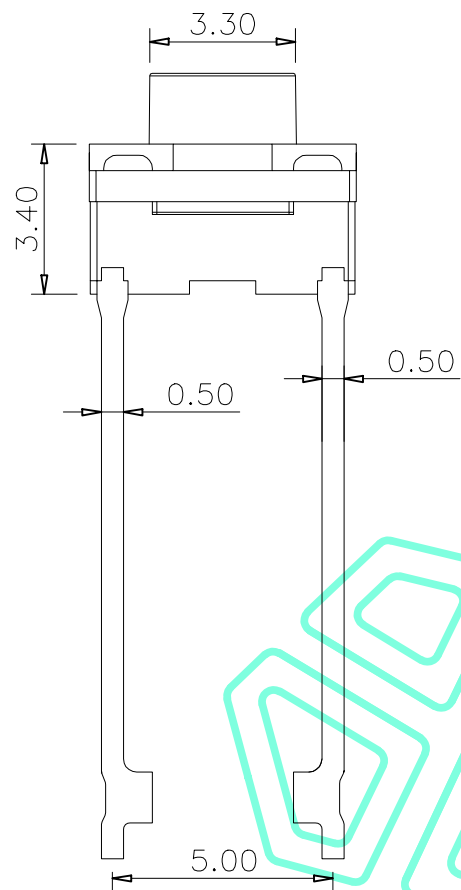


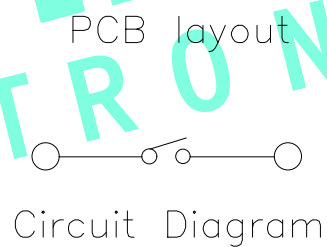
RoHS Compliant

REV. A/0	DESCRIPTION NEW	DESIGN CWF	DATE
----------	-----------------	------------	------

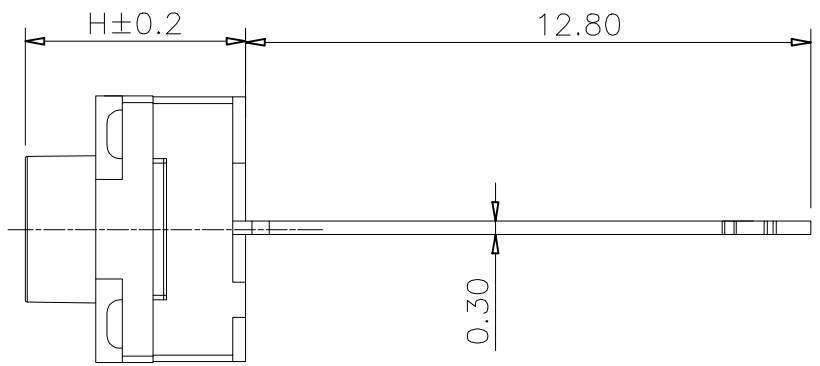


NO.1	
PART NO	H
A	4.3
B	4.5
C	5.0
D	5.5
E	6.0
F	6.5
G	7.0
H	7.5
I	8.0
J	8.5
K	9.0
L	9.5

NO.2	
PART NO	vigor
3	160±40
4	250±40



NOTE:  
 Rating: DC 12V 50mA  
 Travel: 0.3±0.1mm  
 Life: 100,000 Cycles  
 Waterproof: IEC IP67



ITEM	PART NAME	QTY.	MATERIAL	FINISHING
⑥	Waterproof Silicone	1	Silica gel	——
⑤	Terminal	2	Brass(0.3t)	Plating silver
④	Contact	1	F.Ag/SUS	——
③	Base	1	PPA	Black
②	Cover	1	PPA	Black
①	Keystoke	1	PPA	Black

THESE DRAWINGS AND SPECIFICATIONS ARE THE PROPERTY OF SHENZHEN YUCHENG ELECTRONICS.,LTD.AND SHALL NOT BE REPRODUCED,COPIED OR USED IN ANY MANNER WITHOUT THE PRIOR WRITTEN CONSENT OF SHENZHEN YUCHENG ELECTRONICS.,LTD

APPROVED: WEI JIE  
 CHECKED: HONG JIN YUN  
 DRAWING: CHEN YA

**YUCHENG ELECTRONICS** 深圳市裕诚电子有限公司  
 SHENZHEN YUCHENG ELECTRONICS CO.,LTD

GENERAL TOLERANCES	TITLE:	TACT SWITCH		
30~以上 ±0.30	PART NO:	M2-1754P-NO.1/2		
10~30 ±0.20	WEBSITE:	www.ycelectron.com		
5~10 ±0.15	REV: A	UNIT: mm	SCALE: /	SHEET: A4
~ 5 ±0.10	SHEET: 1 / 1			