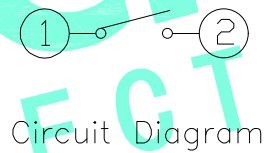
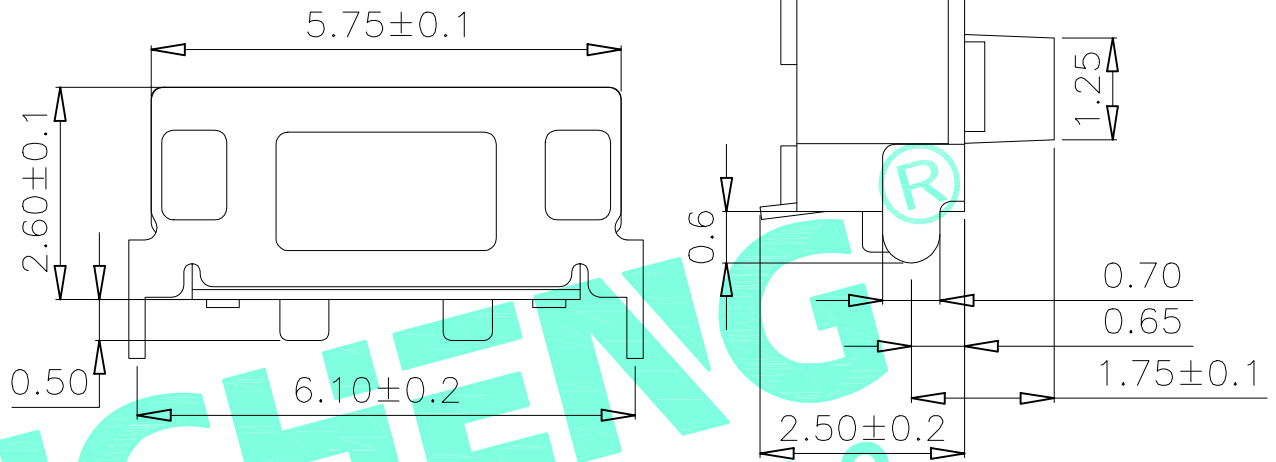
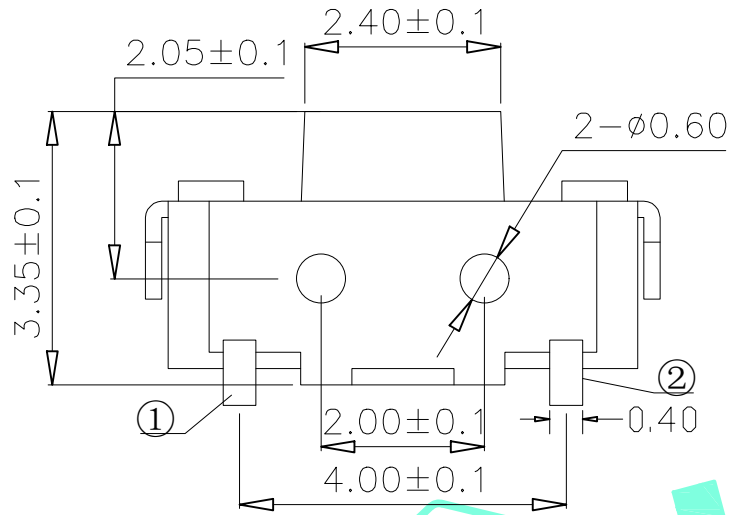


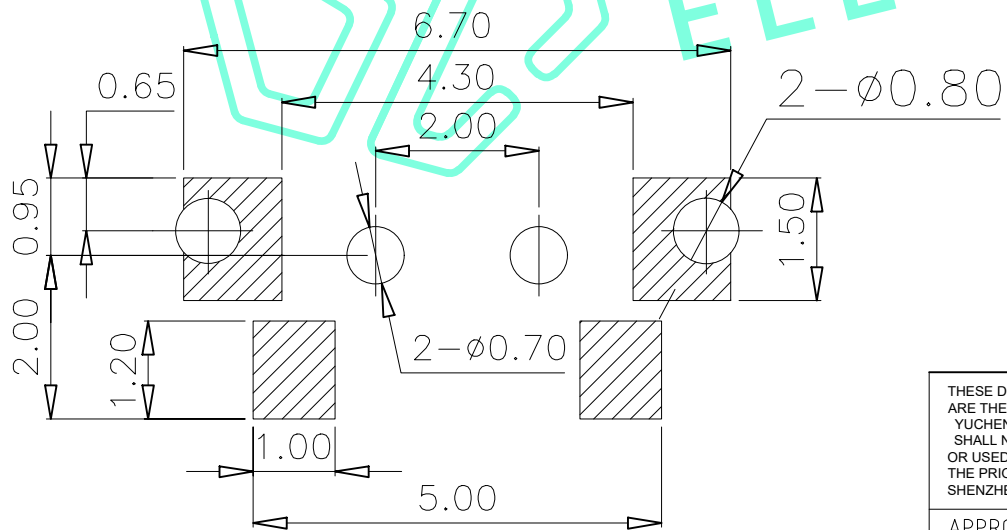
RoHS Compliant

| | | | |
|----------|-----------------|------------|------|
| REV. A/0 | DESCRIPTION NEW | DESIGN CWF | DATE |
|----------|-----------------|------------|------|



NOTE:
 Rating: DC 12V 50mA
 Travel: 0.2±0.1mm
 Life: 100,000 Cycles

| NO.1 | |
|---------|--------|
| PART NO | vigor |
| 3 | 160±40 |
| 4 | 250±50 |



| ITEM | PART NAME | QTY. | MATERIAL | FINISHING |
|------|-----------|------|-----------------|----------------|
| ⑤ | Terminal | 4 | Phosphor bronze | Plating silver |
| ④ | Contact | 2 | F.Ag/SUS | |
| ③ | Base | 1 | LCP | White |
| ② | Cover | 1 | Phosphor bronze | Plating silver |
| ① | Keystoke | 1 | LCP | Black |

THESE DRAWINGS AND SPECIFICATIONS ARE THE PROPERTY OF SHENZHEN YUCHENG ELECTRONICS,LTD.AND SHALL NOT BE REPRODUCED,COPIED OR USED IN ANY MANNER WITHOUT THE PRIOR WRITTEN CONSENT OF SHENZHEN YUCHENG ELECTRONICS,LTD

APPROVED: WEI JIE
 CHECKED: HONG JIN YUN
 DRAWING: CHEN YA

UCHENG 深圳市裕诚电子有限公司
 ELECTRONICS SHENZHEN YUCHENG ELECTRONICS CO.,LTD

| | | | | |
|--------------------|--------------|--------------------|----------|-----------|
| GENERAL TOLERANCES | TITLE: | TACT SWITCH | | |
| 30~以上 ±0.30 | PART NO: | M2-1735A-NO.1 | | |
| 10~30 ±0.20 | WEBSITE: | www.ycelectron.com | | |
| 5~10 ±0.15 | REV: A | UNIT: mm | SCALE: / | SHEET: A4 |
| ~ 5 ±0.10 | SHEET: 1 / 1 | | | |