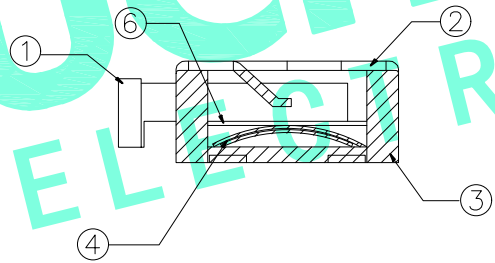
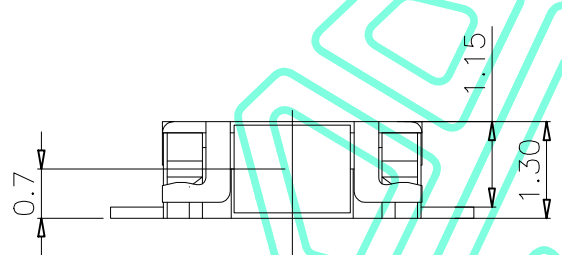
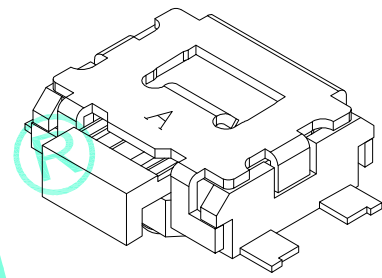
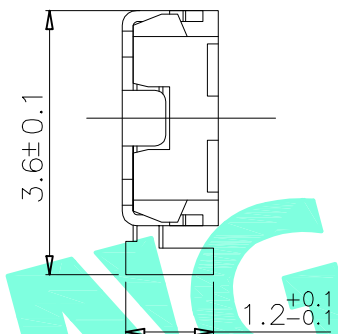
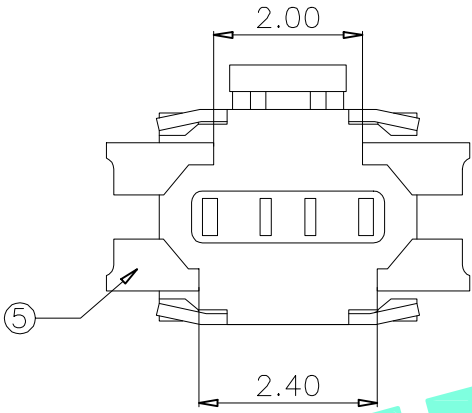
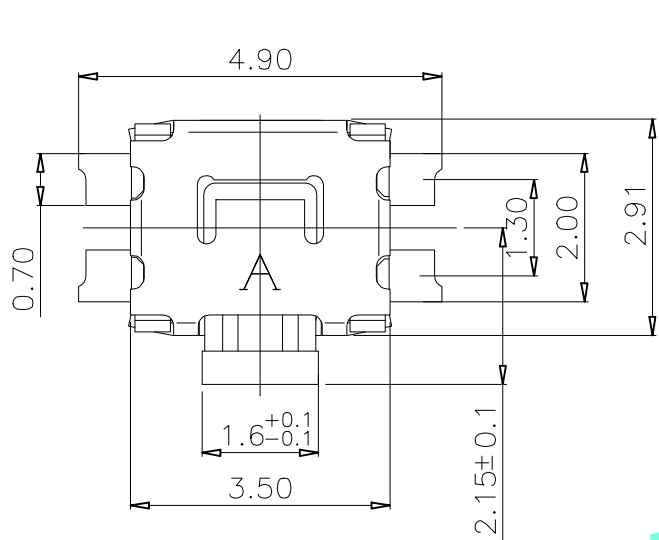
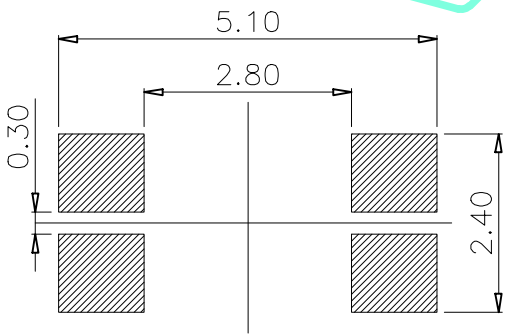


RoHS Compliant

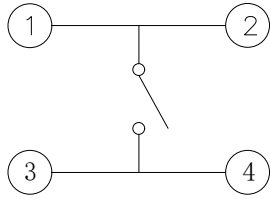
REV. A/0	DESCRIPTION NEW	DESIGN CWF	DATE
----------	-----------------	------------	------



- Typical Specifications
1. Rating : DC 12V 50mA
 2. Contact Resistance: $\leq 100m\Omega$
 3. Travel: $0.2 \pm 0.05mm$
 4. Life : 100,000 Cycles



PCB Layout(Pattern side)



Circuit Diagram

NO.1	
PART NO	vigor
3	180±30
4	250±30

⑥	Dust cover	2	Kapton film	Yellow
⑤	Terminal	4	Phosphor Bronze	Plating silver
④	Contact	2	SUS	Plating silver
③	Base	1	LCP	Black
②	Cover	1	Brass	Plating silver
①	Knob	1	PA46	Black
ITEM	PART NAME	QTY.	MATERIAL	FINISHING

THESE DRAWINGS AND SPECIFICATIONS ARE THE PROPERTY OF SHENZHEN YUCHENG ELECTRONICS.LTD AND SHALL NOT BE REPRODUCED, COPIED OR USED IN ANY MANNER WITHOUT THE PRIOR WRITTEN CONSENT OF SHENZHEN YUCHENG ELECTRONICS.LTD

APPROVED: WEI JIE
 CHECKED: HONG JIN YUN
 DRAWING: CHEN YA

UCHENG ELECTRONICS 深圳市裕诚电子有限公司
 SHENZHEN YUCHENG ELECTRONICS CO.,LTD

GENERAL TOLERANCES	TITLE:	TACT SWITCH		
30~以上 ±0.30	PART NO:	M2-1752P-NO.1		
10~30 ±0.20	WEBSITE:	www.ycelectron.com		
5~10 ±0.15	REV: A	UNIT: mm	SCALE: /	SHEET: A4
~ 5 ±0.10				
SHEET: 1 / 1				