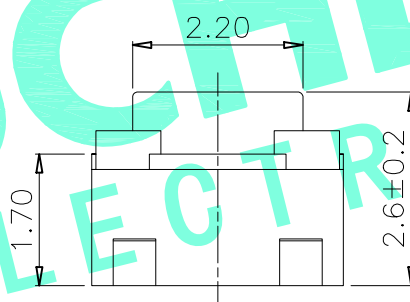
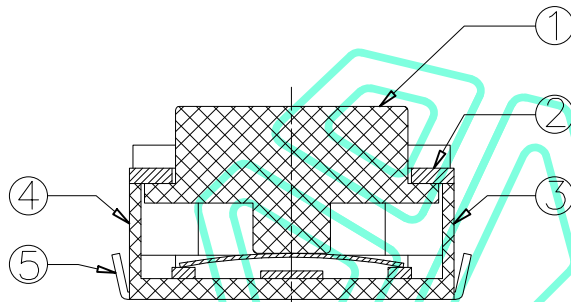
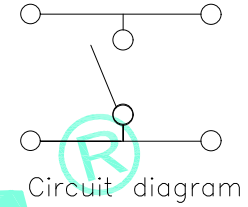
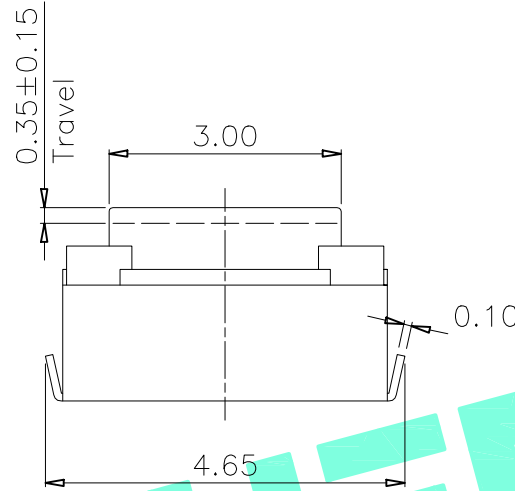
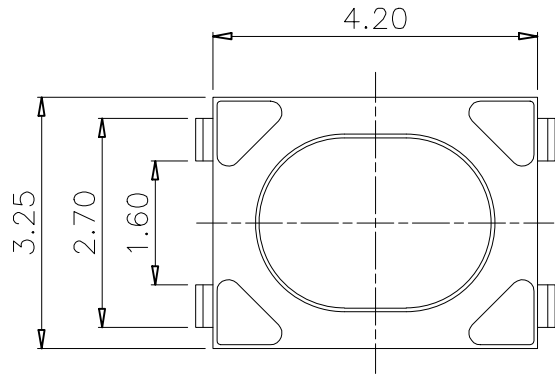


RoHS Compliant

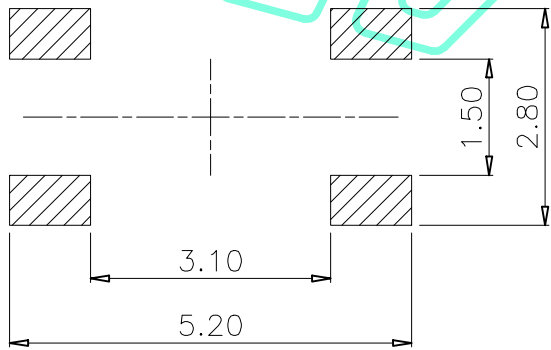
REV. A/0	DESCRIPTION NEW	DESIGN CWF	DATE
-------------	--------------------	---------------	------



NO.1	
PART NO	VIGOR
3	180±35
4	250±35

Typical Specifications :  
 1. Rating : DC 12V 50mA  
 2. Life:100,000 Cycles Min.

ITEM	PART NAME	QTY.	MATERIAL	FINISHING
⑤	Terminal	4	Phosphor Bronze	Plating silver
④	Contact	1	F.Ag/SUS	Plating silver
③	Base	1	LCP	White
②	Cover	1	Phosphor Bronze	Plating Sn
①	Keystoke	1	Silica gel	Blue



PCB Layout(Pattern Side)

THESE DRAWINGS AND SPECIFICATIONS ARE THE PROPERTY OF SHENZHEN YUCHENG ELECTRONICS.LTD.AND SHALL NOT BE REPRODUCED,COPIED OR USED IN ANY MANNER WITHOUT THE PRIOR WRITTEN CONSENT OF SHENZHEN YUCHENG ELECTRONICS.LTD

APPROVED: WEI JIE  
 CHECKED: HONG JIN YUN  
 DRAWING: CHEN YA

**UCHENG**® 深圳市裕诚电子有限公司  
 ELECTRONICS SHENZHEN YUCHENG ELECTRONICS CO.,LTD

GENERAL TOLERANCES	TITLE:	TACT SWITCH		
30~以上 ±0.30	PART NO:	M2-1739A-NO.1		
10~30 ±0.20	WEBSITE :	www.ycelectron.com		
5~10 ±0.15	REV: A	UNIT: mm	SCALE: /	SHEET: A4
~ 5 ±0.10				
SHEET: 1 / 1				