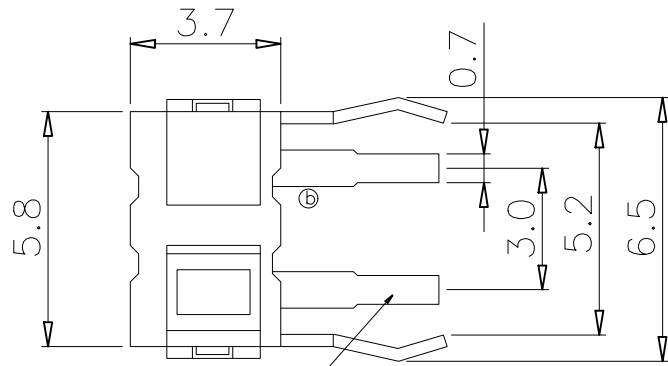
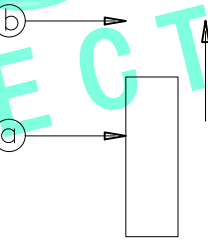
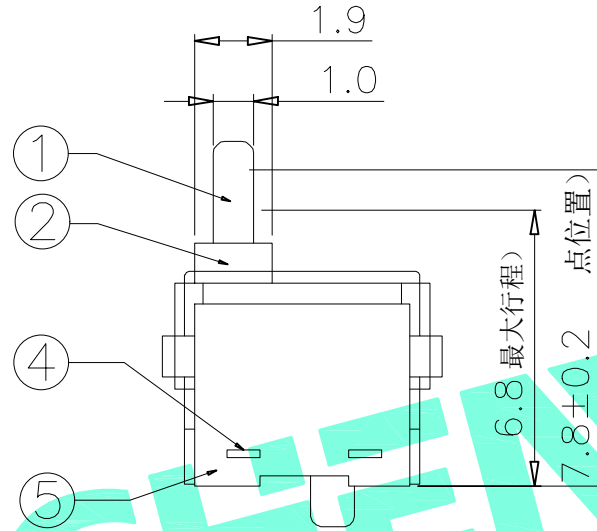
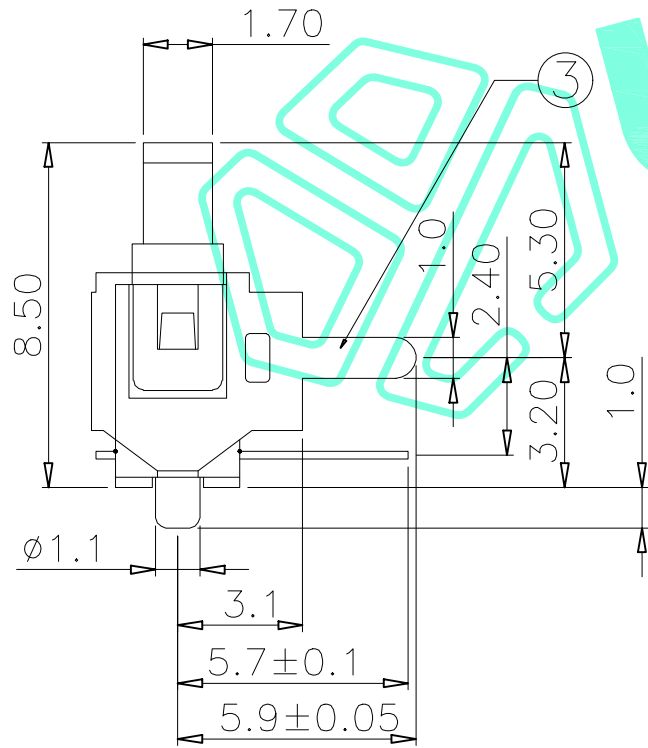


RoHS Compliant

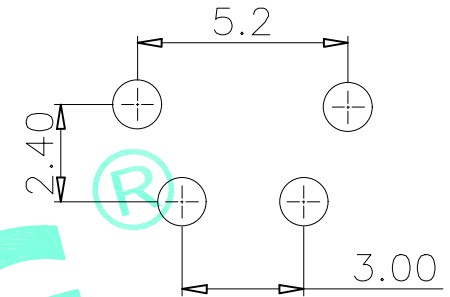
REV. A/0	DESCRIPTION NEW	DESIGN CWF	DATE
-------------	--------------------	---------------	------



Terminal No.ⓐ



Circuit Diagram



NOTE:
Contact Resistance: 200 mΩ Max.
Operating Force: 50±10gf
Lifetime: 100,000 Cycles

⑤	Base	1	PPA	Black
④	Terminal	2	Phosphor Bronze	Ag Plated
③	Trestle	1	SPCC	Cr Plated
②	Cover	1	POM	Black
①	Knob	1	POM	Black
ITEM	PART NAME	QTY.	MATERIAL	FINISHING

THESE DRAWINGS AND SPECIFICATIONS ARE THE PROPERTY OF SHENZHEN YUCHENG ELECTRONICS,LTD.AND SHALL NOT BE REPRODUCED,COPIED OR USED IN ANY MANNER WITHOUT THE PRIOR WRITTEN CONSENT OF SHENZHEN YUCHENG ELECTRONICS,LTD

UCHENG 深圳市裕诚电子有限公司
ELECTRONICS SHENZHEN YUCHENG ELECTRONICS CO.,LTD

APPROVED:	WEI JIE	GENERAL TOLERANCES	TITLE:	DETECTION SWITCH		
CHECKED:	HONG JIN YUN	30~以上 ±0.30	PART NO:	M5-1701A		
DRAWING:	CHEN YA	10~30 ±0.20	WEBSITE:	www.ycelectron.com		
		5~10 ±0.15	REV: A	UNIT: mm	SCALE: /	SHEET: A4
		~ 5 ±0.10				
		SHEET: 1 / 1				

