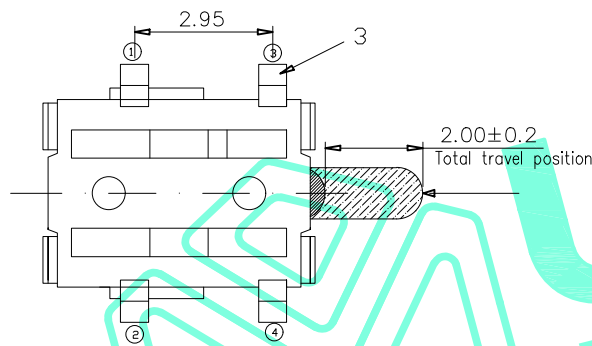
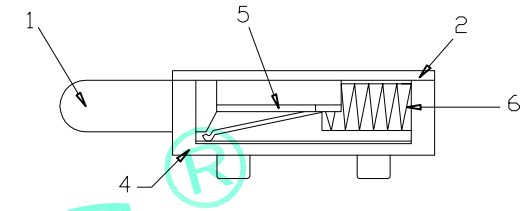
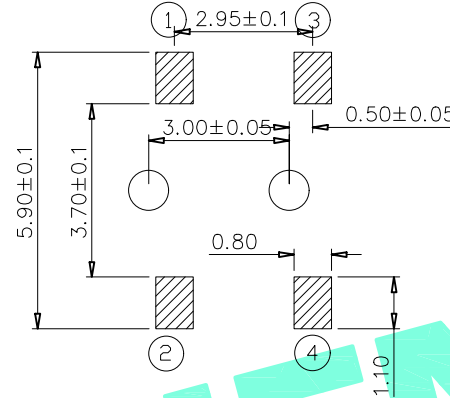
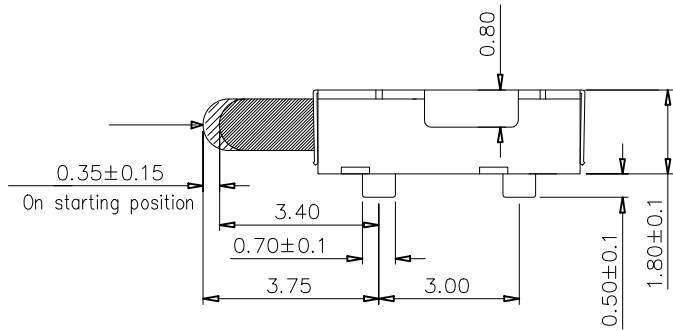
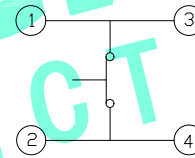


RoHS Compliant

REV. A/0	DESCRIPTION NEW	DESIGN CWF	DATE
-------------	--------------------	---------------	------

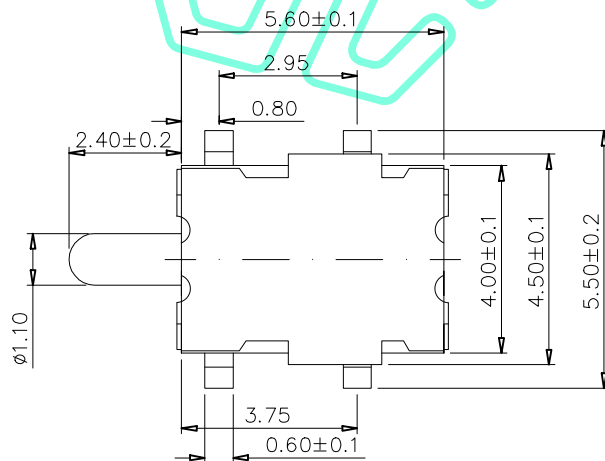


PCB LAND DIMENSION



CIRCUIT DIAGRAM

NOTE:
Rating: DC 12V 0.1A
Operating Force: 100±30gf
Lifetime: 50,000 Cycles
Travel: 0.35±0.15mm



⑥	Spring	1	SUS	Natural
⑤	Center Spring	1	Phosphor Bronze	Ag Plated
④	Base	1	PA46	Black
③	Terminal	4	Phosphor Bronze	Ag Plated
②	Cover	1	SUS	Natural
①	Kn0b	1	PA46	Black
ITEM	PART NAME	QTY.	MATERIAL	FINISHING

THESE DRAWINGS AND SPECIFICATIONS ARE THE PROPERTY OF SHENZHEN YUCHENG ELECTRONICS.,LTD AND SHALL NOT BE REPRODUCED, COPIED OR USED IN ANY MANNER WITHOUT THE PRIOR WRITTEN CONSENT OF SHENZHEN YUCHENG ELECTRONICS.,LTD



深圳市裕诚电子有限公司
SHENZHEN YUCHENG ELECTRONICS CO.,LTD

APPROVED:	WEI JIE	GENERAL TOLERANCES	TITLE:	DETECTION SWITCH	
CHECKED:	HONG JIN YUN	30~以上 ±0.30	PART NO:	M5-1717A	
DRAWING:	CHEN YA	10~30 ±0.20	WEBSITE:	www.ycelectron.com	
		5~10 ±0.15	REV: A	UNIT: mm	SCALE: /
		~ 5 ±0.10	SHEET: 1 / 1	SHEET: A4	④