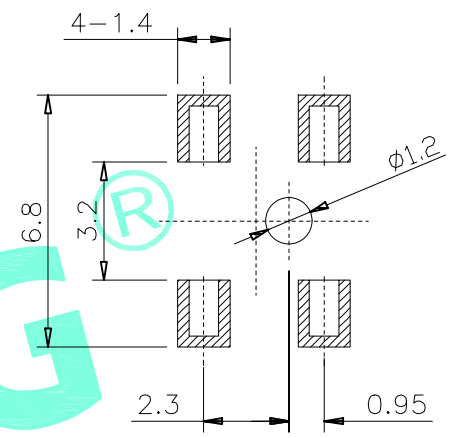
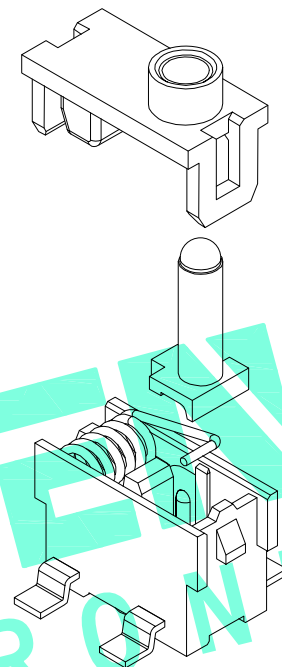
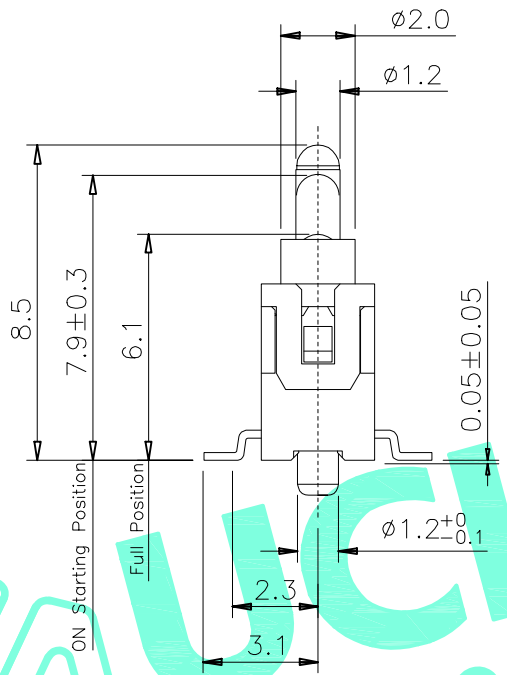
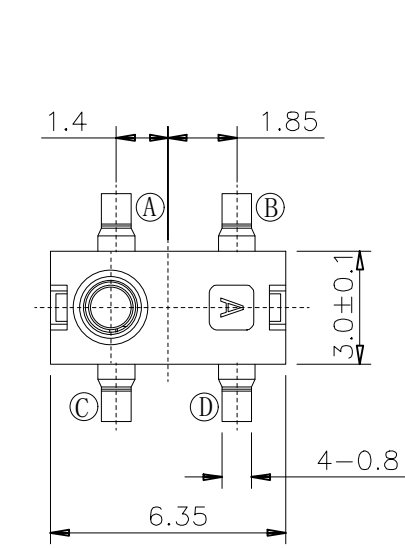
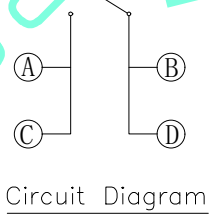
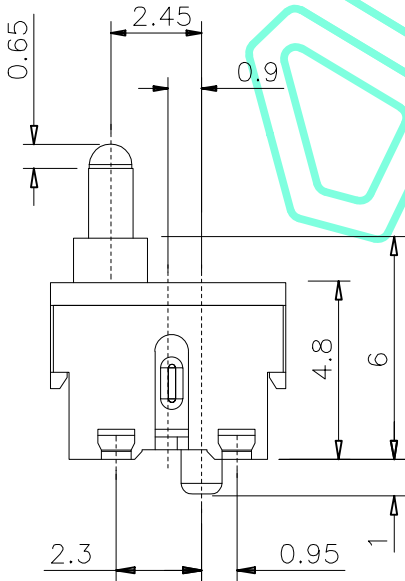


RoHS Compliant

REV. A/0	DESCRIPTION NEW	DESIGN CWF	DATE
----------	-----------------	------------	------



PCB Layout(Pattern side)



Circuit Diagram

NOTE:  
 Rating: DC 5V 0.1~1mA  
 Operating Force: 36gf Max  
 Lifetime: 100,000 Cycles

PART NO.	H
M5-1705D-8.5	8.5
M5-1705D-9.5	9.5
M5-1705D-11.0	11.0

ITEM	PART NAME	QTY.	MATERIAL	FINISHING
⑤	Contact Spring	1	Phosphor Bronze	Ag Plated
④	Terminal	4	Brass	Ag Plated
③	Base	1	PA	Black
②	Cover	1	PA	Black
①	Knob	1	PA	Black

THESE DRAWINGS AND SPECIFICATIONS ARE THE PROPERTY OF SHENZHEN YUCHENG ELECTRONICS,LTD.AND SHALL NOT BE REPRODUCED,COPIED OR USED IN ANY MANNER WITHOUT THE PRIOR WRITTEN CONSENT OF SHENZHEN YUCHENG ELECTRONICS,LTD

APPROVED: WEI JIE  
 CHECKED: HONG JIN YUN  
 DRAWING: CHEN YA

**YUCHENG** ELECTRONICS 深圳市裕诚电子有限公司  
 SHENZHEN YUCHENG ELECTRONICS CO.,LTD

GENERAL TOLERANCES		TITLE:	DETECTION SWITCH		
30~以上	±0.30	PART NO:	M5-1705D		
10~30	±0.20	WEBSITE:	www.ycelectron.com		
5~10	±0.15	REV: A	UNIT: mm	SCALE: /	SHEET: A4
~ 5	±0.10				
SHEET: 1 / 1					