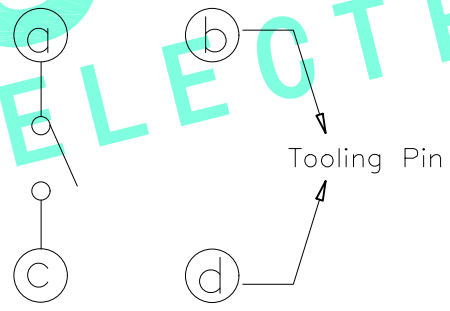
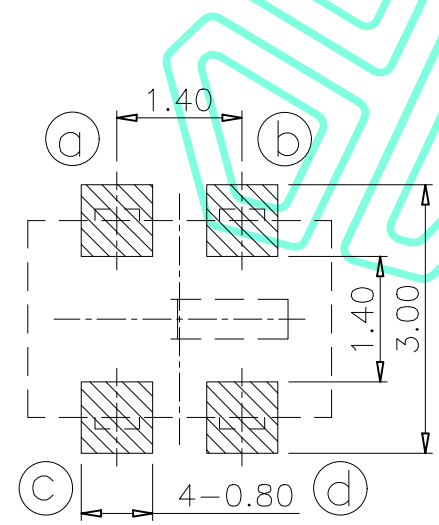
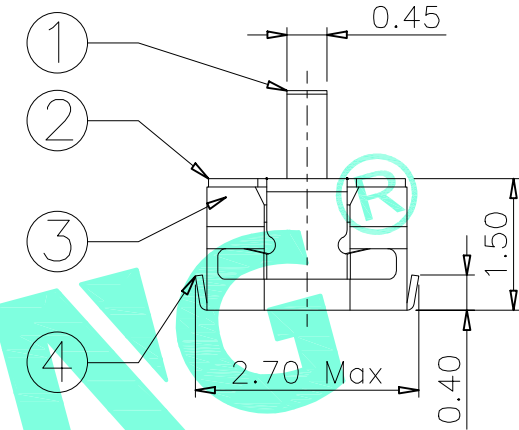
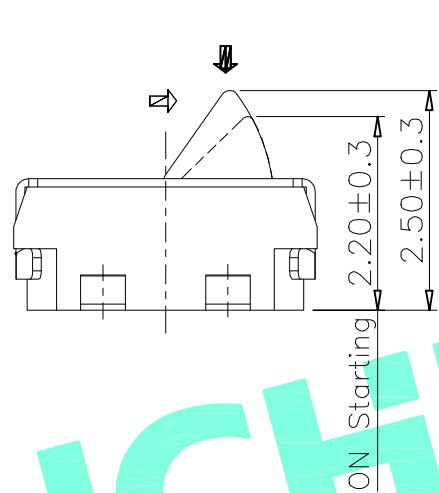
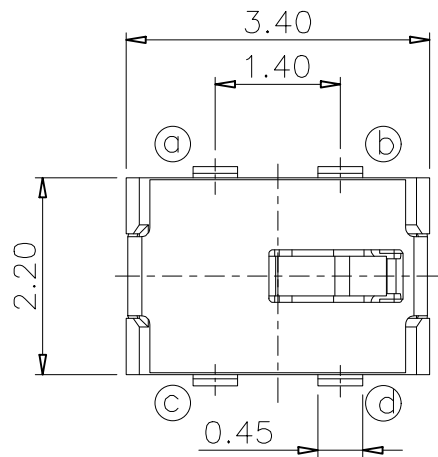


RoHS Compliant

REV. A/0	DESCRIPTION NEW	DESIGN CWF	DATE
-------------	--------------------	---------------	------



Circuit Diagram

NOTE:
 Rating: DC 5V 10mA
 Operating Force: 20±10gf
 Lifetime: 50,000 Cycles

ITEM	PART NAME	QTY.	MATERIAL	FINISHING
⑥	Spring plate	1	SUS	Natural
⑤	Contact Spring	1	Phosphor Bronze	Ag Plated
④	Terminal	4	Phosphor Bronze	Ag Plated
③	Base	1	PA46	Black
②	Cover	1	SUS	Natural
①	Slider	1	PA46	Black

THESE DRAWINGS AND SPECIFICATIONS ARE THE PROPERTY OF SHENZHEN YUCHENG ELECTRONICS,LTD.AND SHALL NOT BE REPRODUCED,COPIED OR USED IN ANY MANNER WITHOUT THE PRIOR WRITTEN CONSENT OF SHENZHEN YUCHENG ELECTRONICS,LTD

APPROVED: WEI JIE
 CHECKED: HONG JIN YUN
 DRAWING: CHEN YA

UCHENG® 深圳市裕诚电子有限公司
 ELECTRONICS SHENZHEN YUCHENG ELECTRONICS CO.,LTD

GENERAL TOLERANCES		TITLE: DETECTION SWITCH	
30~以上	±0.30	PART NO: M5-1678A	
10~30	±0.20	WEBSITE: www.ycelectron.com	
5~10	±0.15	REV: A	
~ 5	±0.10	UNIT: mm	SCALE: /
SHEET: 1 / 1		SHEET: A4	☉