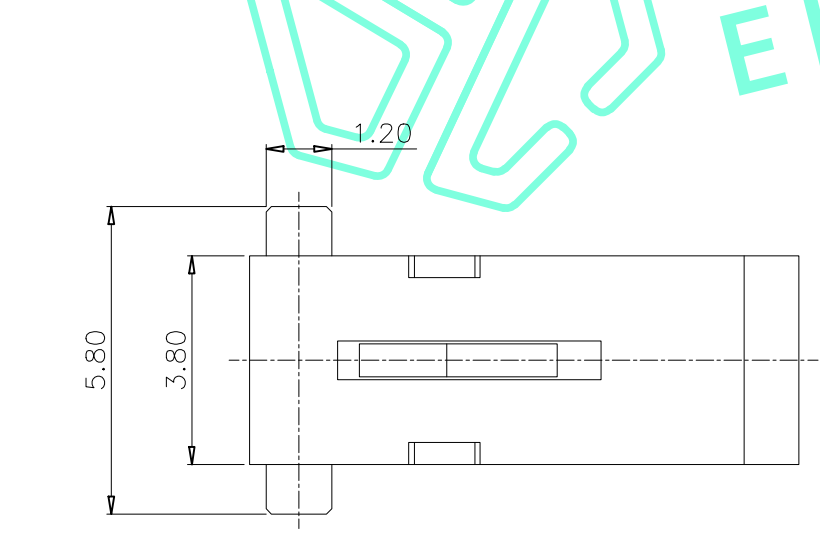
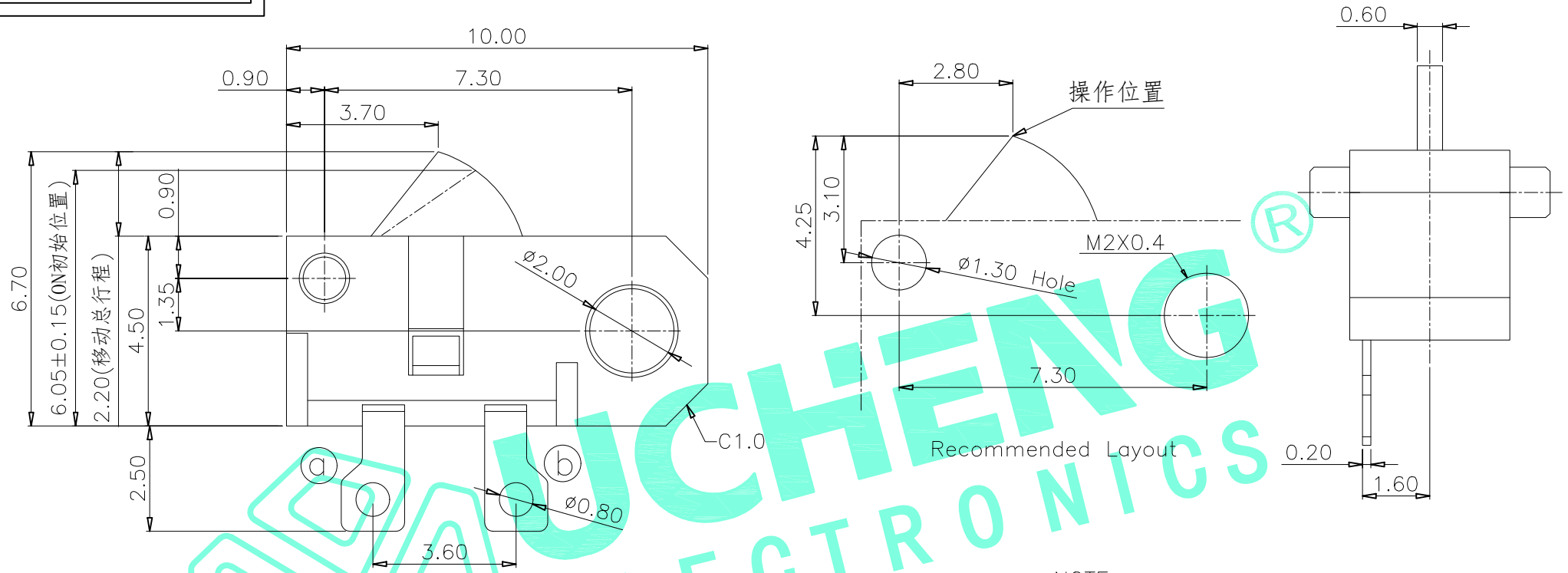


RoHS Compliant

REV. A/0	DESCRIPTION NEW	DESIGN CWF	DATE
----------	-----------------	------------	------



NOTE:  
 Rating: DC 30V 0.1A  
 Operating Force: 50gf Max  
 Lifetime: 50,000 Cycles

Recommended Layout

Circuit Diagram

THESE DRAWINGS AND SPECIFICATIONS ARE THE PROPERTY OF SHENZHEN YUCHENG ELECTRONICS,LTD AND SHALL NOT BE REPRODUCED, COPIED OR USED IN ANY MANNER WITHOUT THE PRIOR WRITTEN CONSENT OF SHENZHEN YUCHENG ELECTRONICS,LTD

ITEM	PART NAME	QTY.	MATERIAL	FINISHING
⑤	Contact Spring	1	Phosphor Bronze	Ag Plated
④	Terminal	2	Phosphor Bronze	Ag Plated
③	Base	1	Nylon	Black
②	Cover	1	Nylon	Black
①	Keystoke	1	POM	White

**UCHENG** 深圳市裕诚电子有限公司  
 ELECTRONICS SHENZHEN YUCHENG ELECTRONICS CO.,LTD

GENERAL TOLERANCES	TITLE:	DETECTION SWITCH		
30~以上 ±0.30	PART NO:	M5-1710A		
10~30 ±0.20	WEBSITE:	www.ycelectron.com		
5~10 ±0.15	REV: A	UNIT: mm	SCALE: /	SHEET: A4
~ 5 ±0.10	SHEET: 1 / 1			

APPROVED:	WEI JIE
CHECKED:	HONG JIN YUN
DRAWING:	CHEN YA

