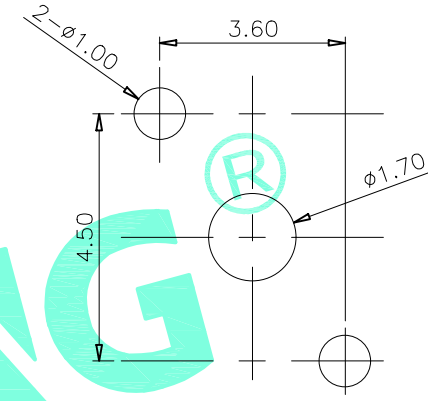
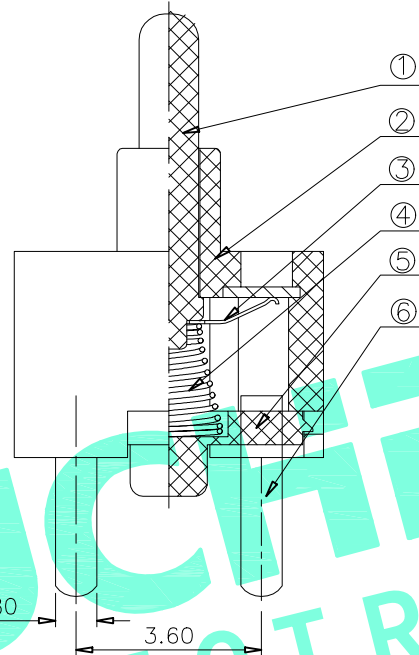
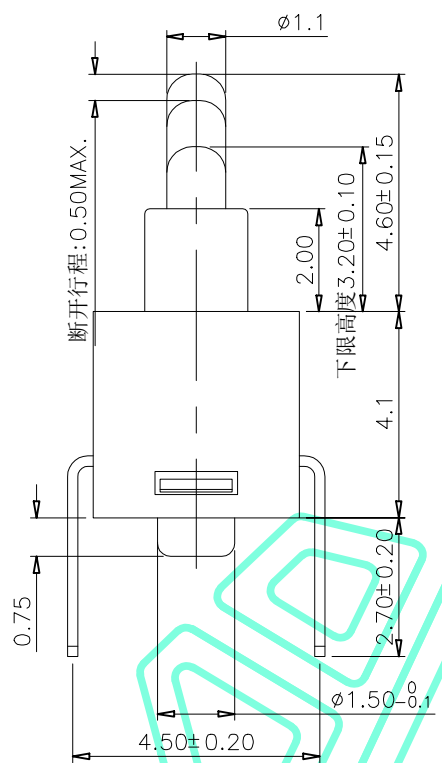


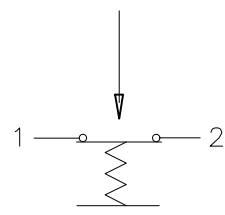
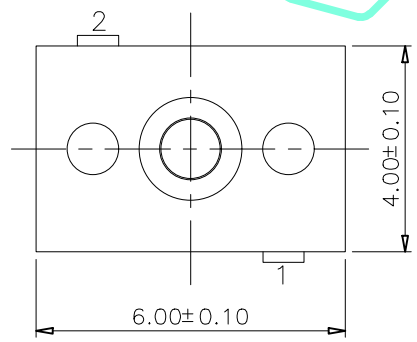
RoHS Compliant

REV. A/0	DESCRIPTION NEW	DESIGN CWF	DATE
----------	-----------------	------------	------



PCB LAND DIMENSION

- NOTE:
1. Rating: DC 16V 0.5A.
 2. Dielectric withstanding : AC 500V for 1minute.
 3. Contact resistance : 200mΩ Max.
 4. Insulation Resistance : 50MΩ Min.
 5. Operating Force: 30gf±10gf.
 6. Mechanical Life: 50000 CYCLES.



CIRCUIT DIAGRAM

⑥	Terminal	2	Brass	Plating silver
⑤	Bottom	1	PC	transparent
④	Spring	1	SUS	Natural
③	Contact	1	Beryllium copper	—
②	Base	1	PA46	Black
①	Knob	1	POM	Black
ITEM	PART NAME	QTY.	MATERIAL	FINISHING

THESE DRAWINGS AND SPECIFICATIONS ARE THE PROPERTY OF SHENZHEN YUCHENG ELECTRONICS, LTD. AND SHALL NOT BE REPRODUCED, COPIED OR USED IN ANY MANNER WITHOUT THE PRIOR WRITTEN CONSENT OF SHENZHEN YUCHENG ELECTRONICS, LTD.

APPROVED: WEI JIE
 CHECKED: HONG JIN YUN
 DRAWING: CHEN YA

YUCHENG ELECTRONICS 深圳市裕诚电子有限公司
 SHENZHEN YUCHENG ELECTRONICS CO.,LTD

GENERAL TOLERANCES	TITLE:	DETECTION SWITCH		
30~以上 ±0.30	PART NO:	M5-1730A		
10~30 ±0.20	WEBSITE:	www.ycelectron.com		
5~10 ±0.15	REV: A	UNIT: mm	SCALE: /	SHEET: A4
~ 5 ±0.10	SHEET: 1 / 1			