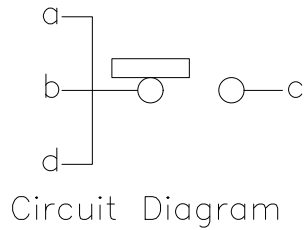
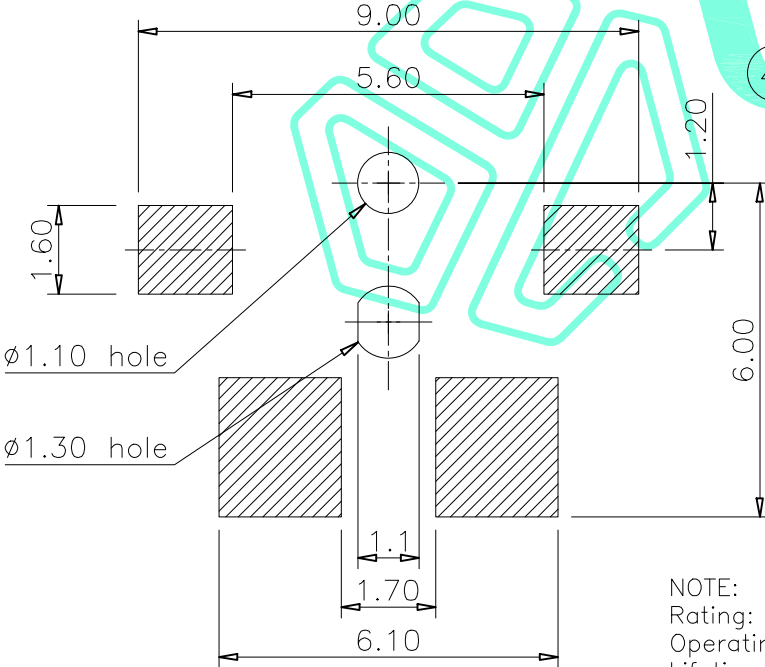
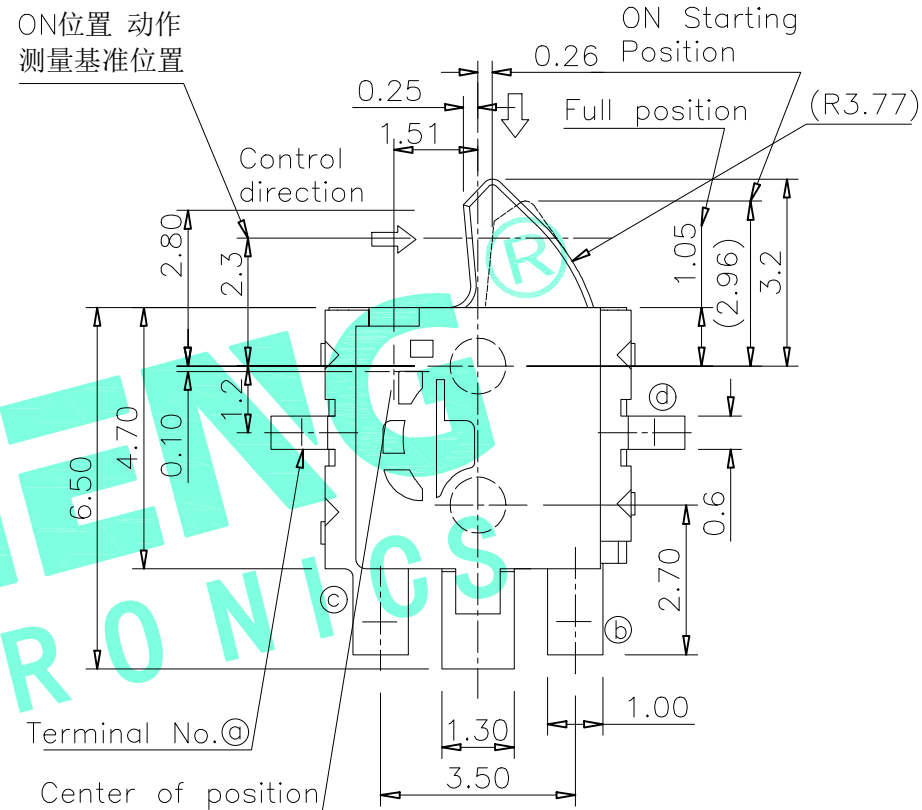
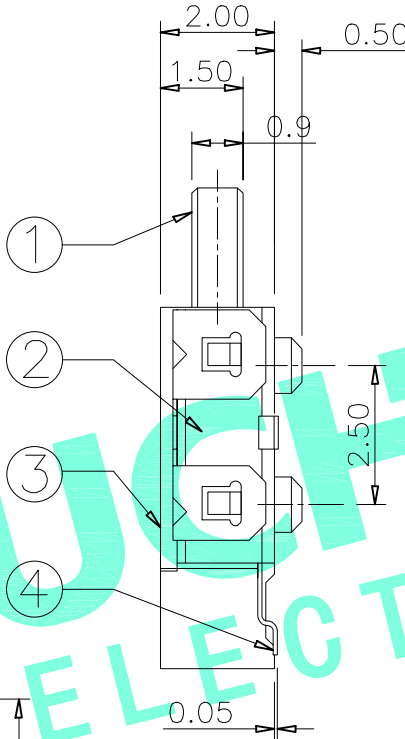
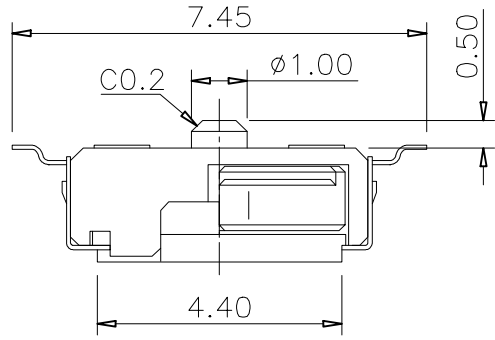


RoHS Compliant

REV. A/0	DESCRIPTION NEW	DESIGN CWF	DATE
-------------	--------------------	---------------	------



NOTE:  
Rating: DC 20V 50mA  
Operating Force: 20±10gf  
Lifetime: 100,000 Cycles

PCB Layout(Pattern side)

⑤	Spring	1	SUS	Ag Plated
④	Terminal	4	Phosphor Bronze	Ag Plated
③	Cover	1	PA46	Black
②	Base	1	PA46	Black
①	Slider	1	PA46	Black
ITEM	PART NAME	QTY.	MATERIAL	FINISHING

THESE DRAWINGS AND SPECIFICATIONS ARE THE PROPERTY OF SHENZHEN YUCHENG ELECTRONICS, LTD. AND SHALL NOT BE REPRODUCED, COPIED OR USED IN ANY MANNER WITHOUT THE PRIOR WRITTEN CONSENT OF SHENZHEN YUCHENG ELECTRONICS, LTD.

APPROVED: WEI JIE  
CHECKED: HONG JIN YUN  
DRAWING: CHEN YA

**UCHENG** 深圳市裕诚电子有限公司  
ELECTRONICS SHENZHEN YUCHENG ELECTRONICS CO.,LTD

GENERAL TOLERANCES		TITLE:	
30~以上	±0.30	DETECTION SWITCH	
10~30	±0.20	PART NO:	
5~10	±0.15	M5-1715A	
~ 5	±0.10	WEBSITE:	
SHEET: 1 / 1		www.ycelectron.com	
REV: A	UNIT: mm	SCALE: /	SHEET: A4

