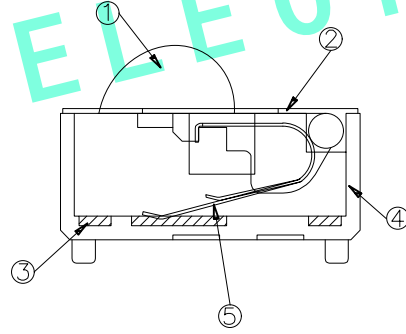
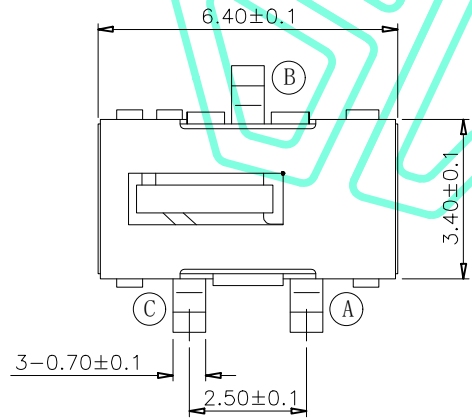
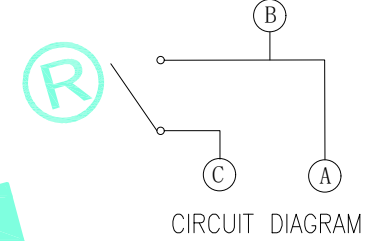
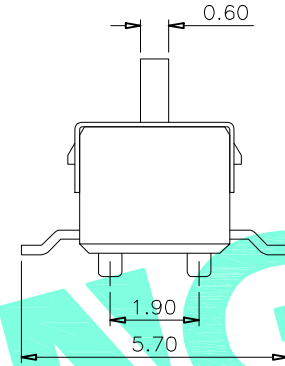
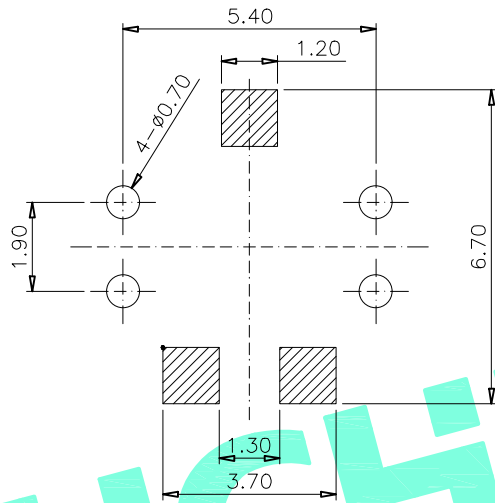
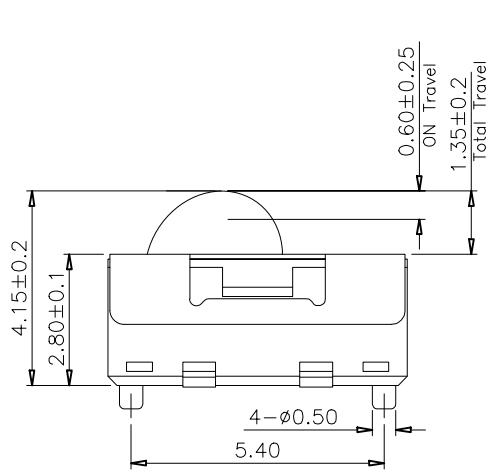


RoHS Compliant

REV. A/0	DESCRIPTION NEW	DESIGN CWF	DATE
-------------	--------------------	---------------	------



NOTE:  
 Rating: DC12V 0.1A  
 Operating Force: 60±40gf  
 Lifetime: 50,000 Cycles  
 Travel: 0.60±0.25mm

ITEM	PART NAME	QTY.	MATERIAL	FINISHING
⑤	Spring	1	Beryllium bronze	Ag Plated
④	Base	1	LCP	Black
③	Terminal	3	Brass	Ag Plated
②	Cover	1	SUS	Natural
①	Knob	1	LCP	Black

THESE DRAWINGS AND SPECIFICATIONS ARE THE PROPERTY OF SHENZHEN YUCHENG ELECTRONICS,LTD AND SHALL NOT BE REPRODUCED, COPIED OR USED IN ANY MANNER WITHOUT THE PRIOR WRITTEN CONSENT OF SHENZHEN YUCHENG ELECTRONICS,LTD

APPROVED: WEI JIE  
 CHECKED: HONG JIN YUN  
 DRAWING: CHEN YA

**UCHENG** 深圳市裕诚电子有限公司  
 ELECTRONICS SHENZHEN YUCHENG ELECTRONICS CO.,LTD

GENERAL TOLERANCES		TITLE:	DETECTION SWITCH	
30~以上	±0.30	PART NO:	M5-1707D	
10~30	±0.20	WEBSITE:	www.ycelectron.com	
5~10	±0.15	REV: A	UNIT: mm	SCALE: /
~ 5	±0.10		SHEET: A4	
SHEET: 1 / 1				