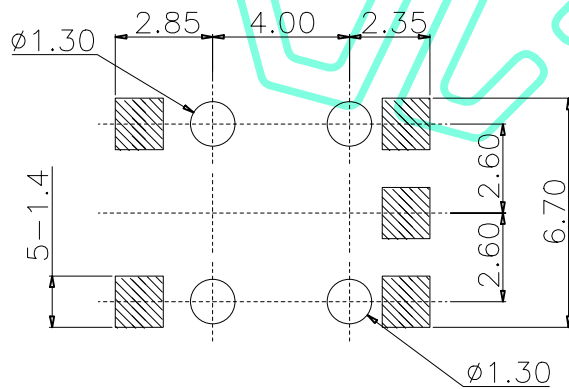
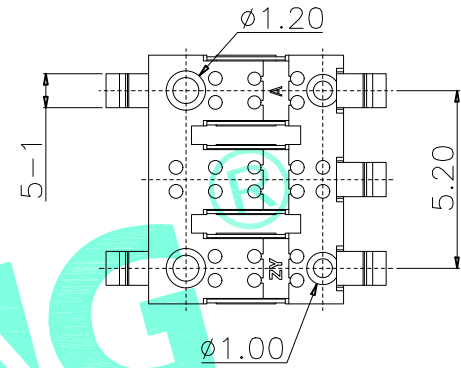
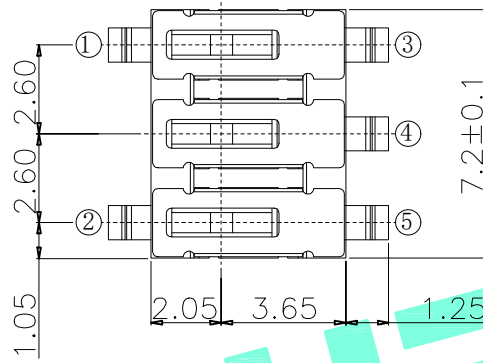
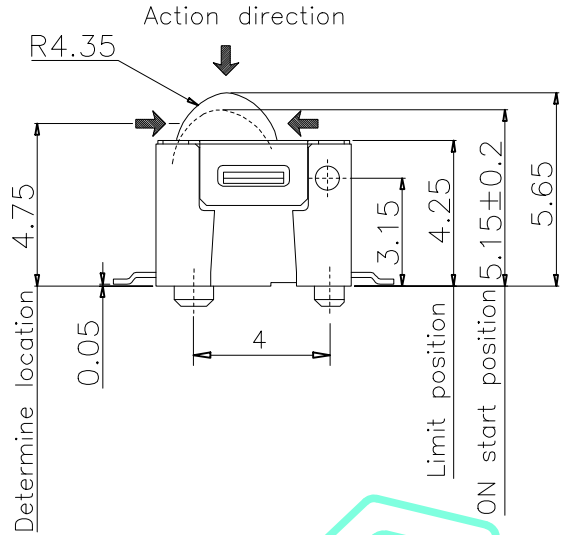
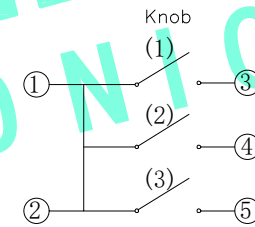
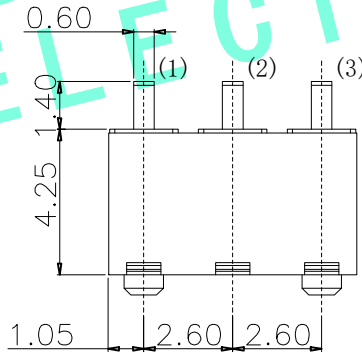


RoHS Compliant

REV. A/0	DESCRIPTION NEW	DESIGN CWF	DATE
-------------	--------------------	---------------	------



PCB LAND DIMENSION



CIRCUIT DIAGRAM

NOTE:  
 Rating: DC12V 50mA  
 Operating Force: 30±20gf  
 Lifetime: 50,000 Cycles

ITEM	PART NAME	QTY.	MATERIAL	FINISHING
⑤	Contact Spring	1	SUS	Natural
④	Terminal	4	Phosphor Bronze	Ag Plated
③	Base	1	PA66	Black
②	Cover	1	SUS	Black
①	Knob	1	POM	Black

THESE DRAWINGS AND SPECIFICATIONS ARE THE PROPERTY OF SHENZHEN YUCHENG ELECTRONICS,LTD.AND SHALL NOT BE REPRODUCED,COPIED OR USED IN ANY MANNER WITHOUT THE PRIOR WRITTEN CONSENT OF SHENZHEN YUCHENG ELECTRONICS,LTD

**YUCHENG ELECTRONICS** 深圳市裕诚电子有限公司  
 SHENZHEN YUCHENG ELECTRONICS CO.,LTD

APPROVED:	WEI JIE	GENERAL TOLERANCES	TITLE:	DETECTION SWITCH		
CHECKED:	HONG JIN YUN	30~以上 ±0.30	PART NO:	M5-1728A		
DRAWING:	CHEN YA	10~30 ±0.20	WEBSITE:	www.ycelectron.com		
		5~10 ±0.15	REV: A	UNIT: mm	SCALE: /	SHEET: A4
		~ 5 ±0.10	SHEET: 1 / 1			