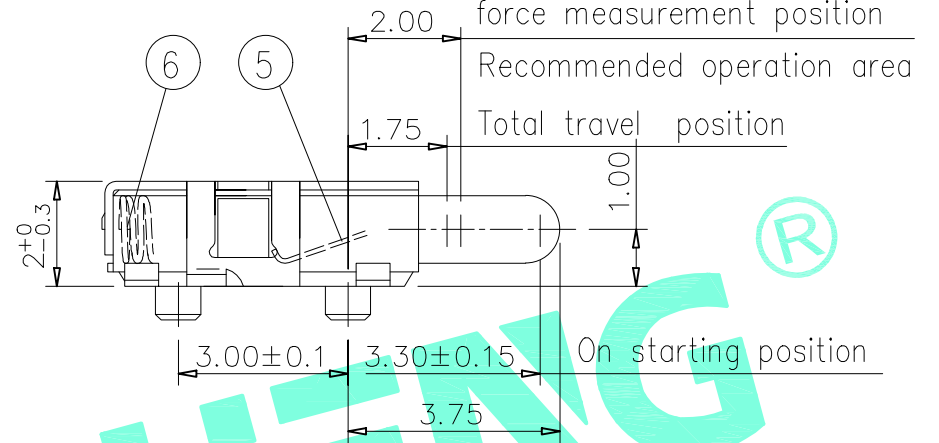
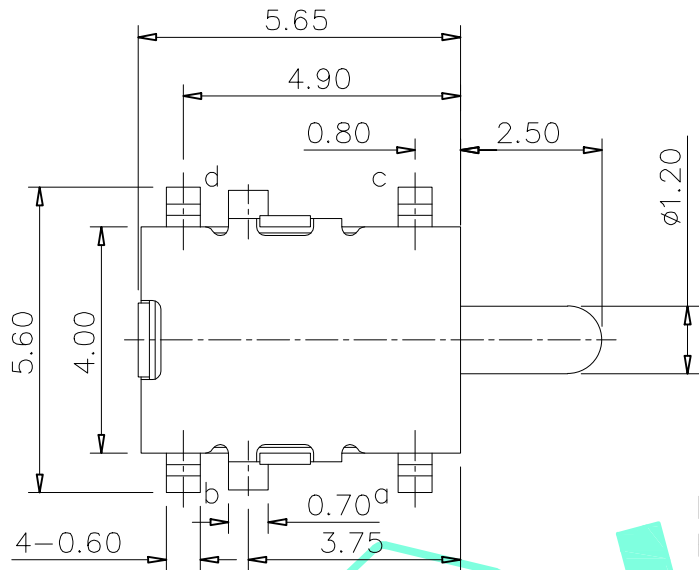
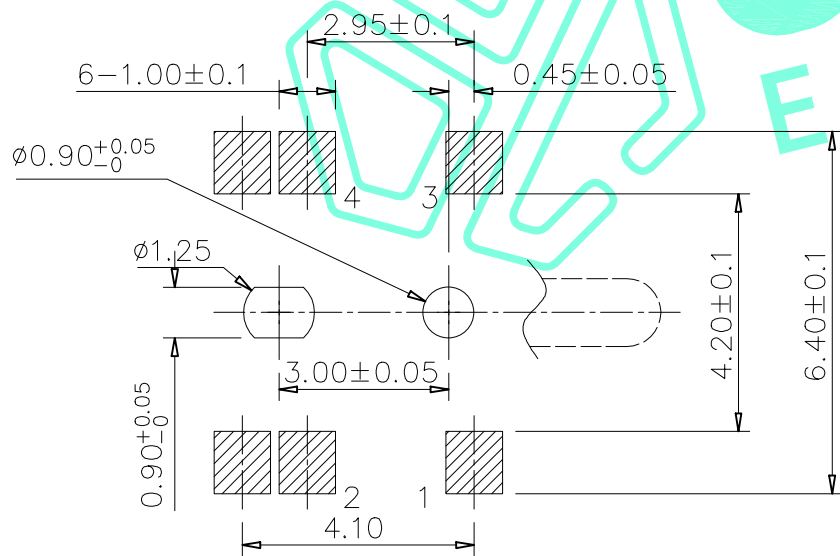


RoHS Compliant

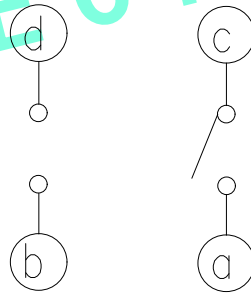
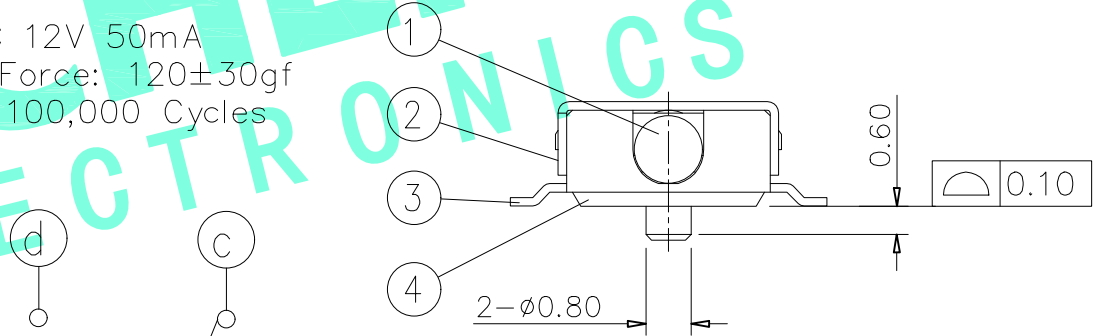
REV. A/0	DESCRIPTION NEW	DESIGN CWF	DATE
-------------	--------------------	---------------	------



NOTE:
Rating: DC 12V 50mA
Operating Force: 120±30gf
Lifetime: 100,000 Cycles



PCB LAND DIMENSION ± 0.05



CIRCUIT DIAGRAM

ITEM	PART NAME	QTY.	MATERIAL	FINISHING
⑥	Spring	1	SUS	Natural
⑤	Center Spring	1	Phosphor Bronze	Ag Plated
④	Base	1	LCP	Black
③	Terminal	4	Phosphor Bronze	Ag Plated
②	Cover	1	SUS	Natural
①	Knob	1	LCP	Black

THESE DRAWINGS AND SPECIFICATIONS ARE THE PROPERTY OF SHENZHEN YUCHENG ELECTRONICS,LTD.AND SHALL NOT BE REPRODUCED,COPIED OR USED IN ANY MANNER WITHOUT THE PRIOR WRITTEN CONSENT OF SHENZHEN YUCHENG ELECTRONICS,LTD

UCHENG 深圳市裕诚电子有限公司
ELECTRONICS SHENZHEN YUCHENG ELECTRONICS CO.,LTD

APPROVED:	WEI JIE	GENERAL TOLERANCES	TITLE:	DETECTION SWITCH		
CHECKED:	HONG JIN YUN	30~以上 ±0.30	PART NO:	M5-1698A		
DRAWING:	CHEN YA	10~30 ±0.20	WEBSITE:	www.ycelectron.com		
		5~10 ±0.15	REV: A	UNIT: mm	SCALE: /	SHEET: A4
		~ 5 ±0.10	SHEET: 1 / 1			