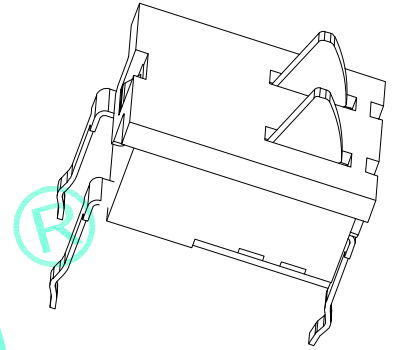
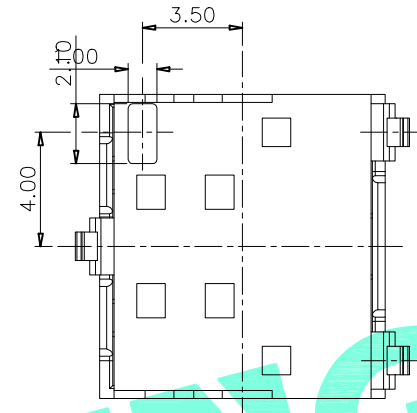
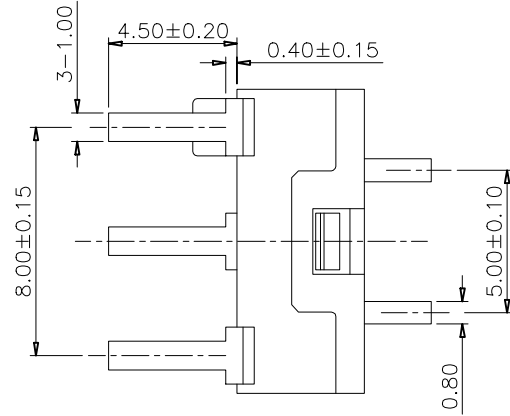
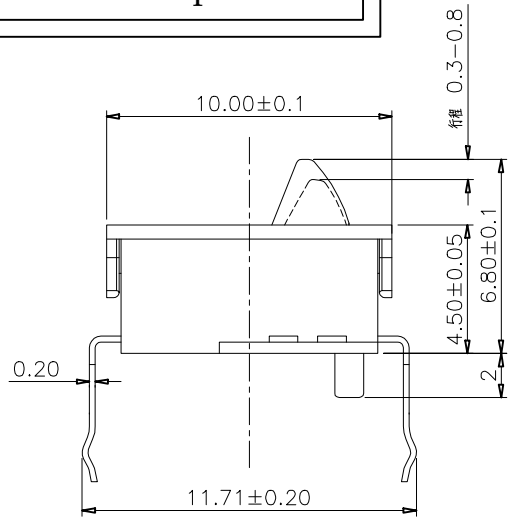
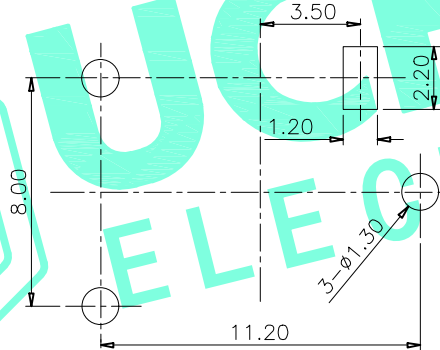
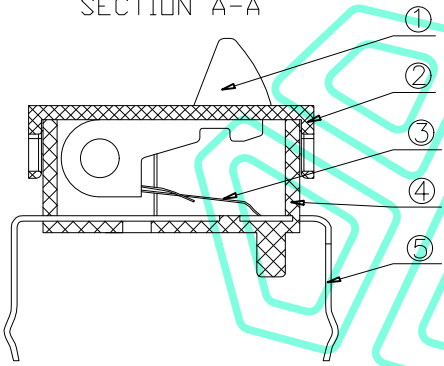


RoHS Compliant

REV. A/0	DESCRIPTION NEW	DESIGN CWF	DATE
-------------	--------------------	---------------	------



SECTION A-A

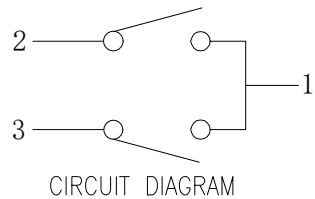
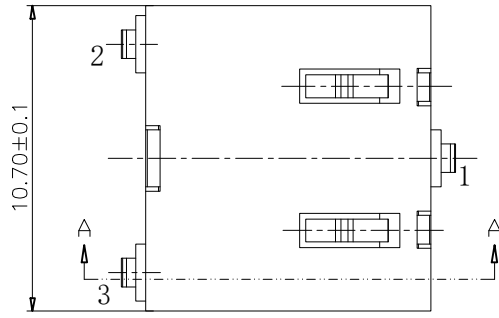


PCB LAND DIMENSION

NOTE:

1. Rating: DC 16V 1A.
2. Dielectric withstanding : AC 250V for 1minute.
3. Contact resistance : 100mΩ Max.
4. Insulation Resistance : 50mΩ Min.
5. Operating Force: 30gf±10gf.
6. Mechanical Life: 50000 CYCLES.

ITEM	PART NAME	QTY.	MATERIAL	FINISHING
⑤	Terminal	3	Brass	Plating silver
④	Base	1	Nylon	Black
③	Contact	2	Beryllium copper	Plating silver
②	Cover	1	POM	Black
①	Knob	2	POM	White



CIRCUIT DIAGRAM

THESE DRAWINGS AND SPECIFICATIONS ARE THE PROPERTY OF SHENZHEN YUCHENG ELECTRONICS,LTD AND SHALL NOT BE REPRODUCED, COPIED OR USED IN ANY MANNER WITHOUT THE PRIOR WRITTEN CONSENT OF SHENZHEN YUCHENG ELECTRONICS,LTD

APPROVED: WEI JIE
 CHECKED: HONG JIN YUN
 DRAWING: CHEN YA

UCHENG 深圳市裕诚电子有限公司
 ELECTRONICS SHENZHEN YUCHENG ELECTRONICS CO.,LTD

GENERAL TOLERANCES	TITLE:	DETECTION SWITCH		
30~以上 ±0.30	PART NO:	M5-1699D		
10~30 ±0.20	WEBSITE:	www.ycelectron.com		
5~10 ±0.15	REV: A	UNIT: mm	SCALE: /	SHEET: A4
~ 5 ±0.10				
SHEET: 1 / 1				