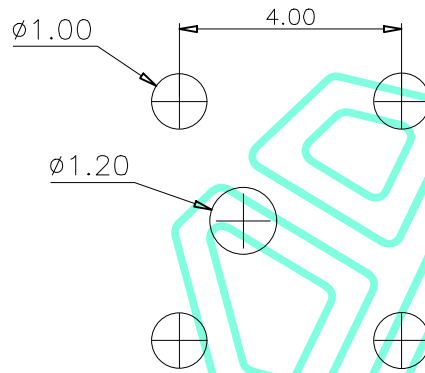
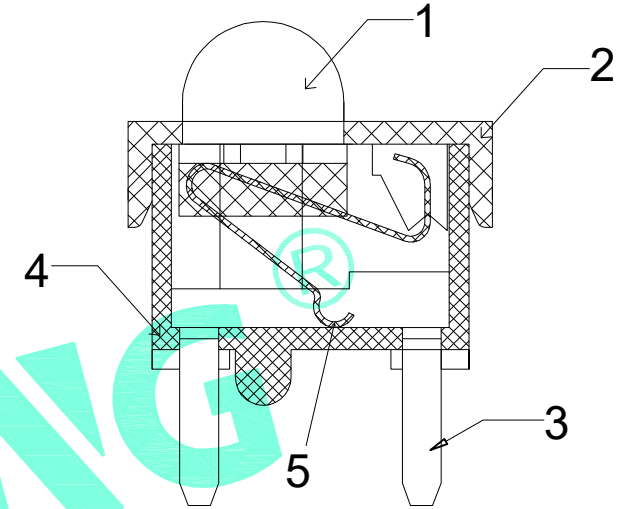
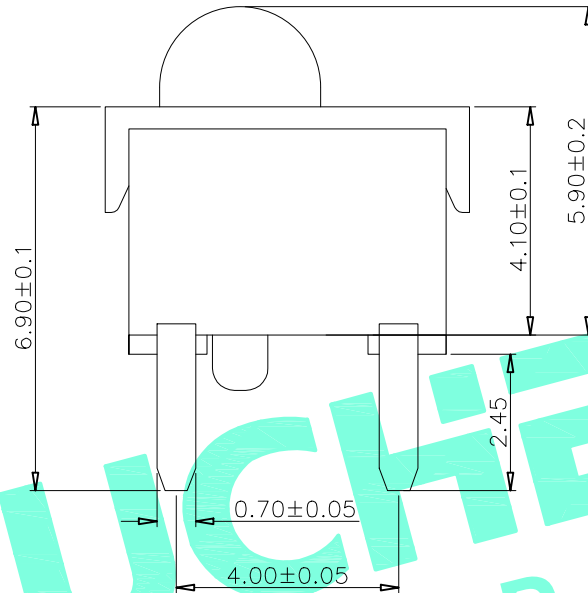
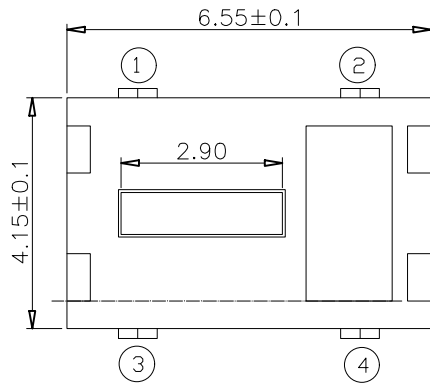
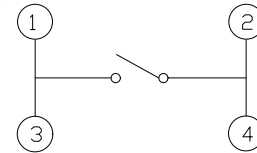


RoHS Compliant

REV. A/0	DESCRIPTION NEW	DESIGN CWF	DATE
----------	-----------------	------------	------

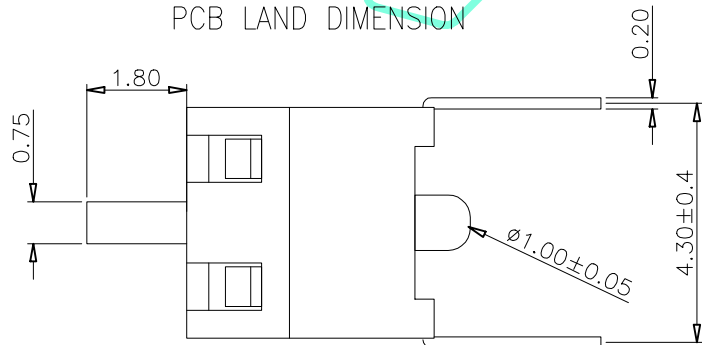


PCB LAND DIMENSION



CIRCUIT DIAGRAM

NOTE:  
 Rating: DC 12V 0.1A  
 Operating Force: 40±15gf  
 Lifetime: 50,000 Cycles  
 Travel: 0.5±0.2mm  
 MAX Travel: 1.8±0.2mm



⑤	Center Spring	1	Phosphor Bronze	Ag Plated
④	Base	1	PPA	Black
③	Terminal	4	Phosphor Bronze	Ag Plated
②	Cover	1	PA46	Natural
①	Kn0b	1	PA46	Black
ITEM	PART NAME	QTY.	MATERIAL	FINISHING

THESE DRAWINGS AND SPECIFICATIONS ARE THE PROPERTY OF SHENZHEN YUCHENG ELECTRONICS.,LTD.AND SHALL NOT BE REPRODUCED,COPIED OR USED IN ANY MANNER WITHOUT THE PRIOR WRITTEN CONSENT OF SHENZHEN YUCHENG ELECTRONICS.,LTD

**UCHENG** 深圳市裕诚电子有限公司  
 ELECTRONICS SHENZHEN YUCHENG ELECTRONICS CO.,LTD

APPROVED:	WEI JIE	GENERAL TOLERANCES	TITLE:	DETECTION SWITCH		
CHECKED:	HONG JIN YUN	30~以上 ±0.30	PART NO:	M5-1725D		
DRAWING:	CHEN YA	10~30 ±0.20	WEBSITE:	www.ycelectron.com		
		5~10 ±0.15	REV: A	UNIT: mm	SCALE: /	SHEET: A4
		~ 5 ±0.10	SHEET: 1 / 1			