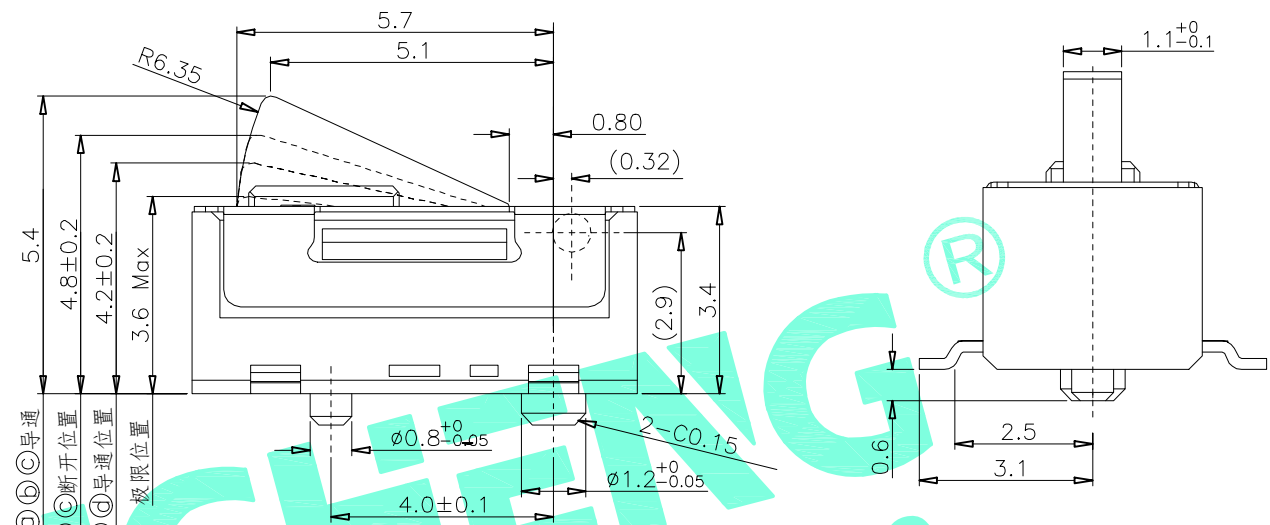
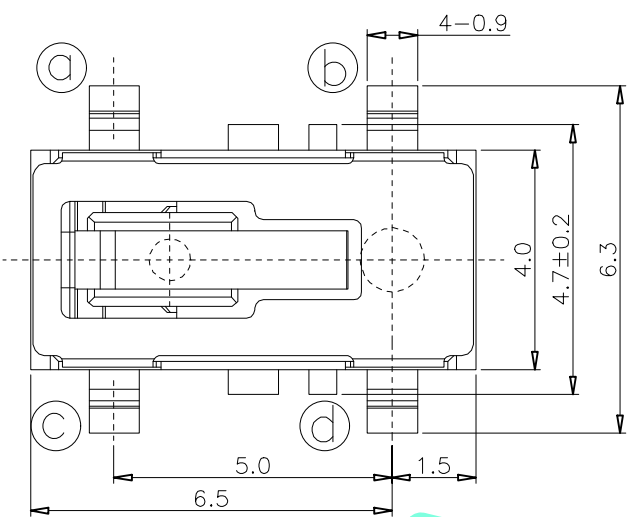


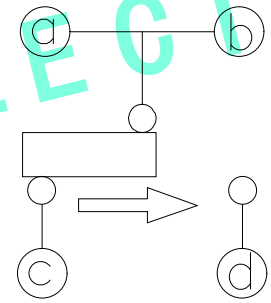
RoHS Compliant

REV. A/0	DESCRIPTION NEW	DESIGN CWF	DATE
-------------	--------------------	---------------	------

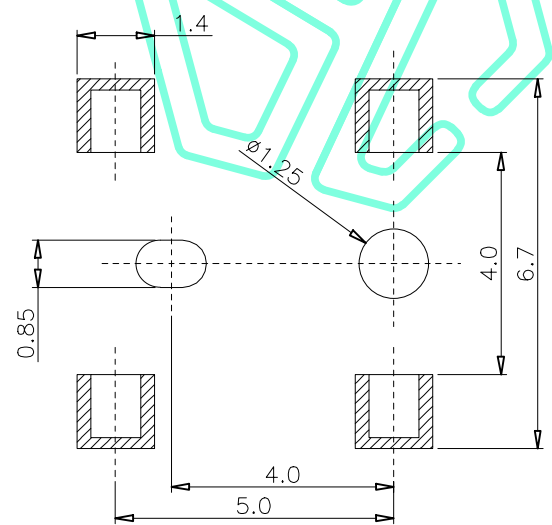


静止位置  
⑤⑥③导通  
⑤⑥③断开位置  
⑤⑥④导通位置  
极限位置

NOTE:  
Rating: DC 12V 0.1A  
Operating Force: ≤36gf  
Lifetime: 50,000 Cycles



CIRCUIT DIAGRAM



PCB LAND DIMENSION

⑤	Center Spring	1	Phosphor Bronze	Ag Plated
④	Base	1	PA	Black
③	Terminal	4	Brass	Ag Plated
②	Cover	1	SUS	Natural
①	Knob	1	PA	Black
ITEM	PART NAME	QTY.	MATERIAL	FINISHING

THESE DRAWINGS AND SPECIFICATIONS ARE THE PROPERTY OF SHENZHEN YUCHENG ELECTRONICS, LTD. AND SHALL NOT BE REPRODUCED, COPIED OR USED IN ANY MANNER WITHOUT THE PRIOR WRITTEN CONSENT OF SHENZHEN YUCHENG ELECTRONICS, LTD.

APPROVED: WEI JIE  
CHECKED: HONG JIN YUN  
DRAWING: CHEN YA

**UCHENG** 深圳市裕诚电子有限公司  
ELECTRONICS SHENZHEN YUCHENG ELECTRONICS CO.,LTD

GENERAL TOLERANCES		TITLE:	
30~以上	±0.30	DETECTION SWITCH	
10~30	±0.20	PART NO:	
5~10	±0.15	M5-1731D	
~ 5	±0.10	WEBSITE:	
SHEET: 1 / 1		www.ycelectron.com	
REV: A	UNIT: mm	SCALE: /	SHEET: A4

