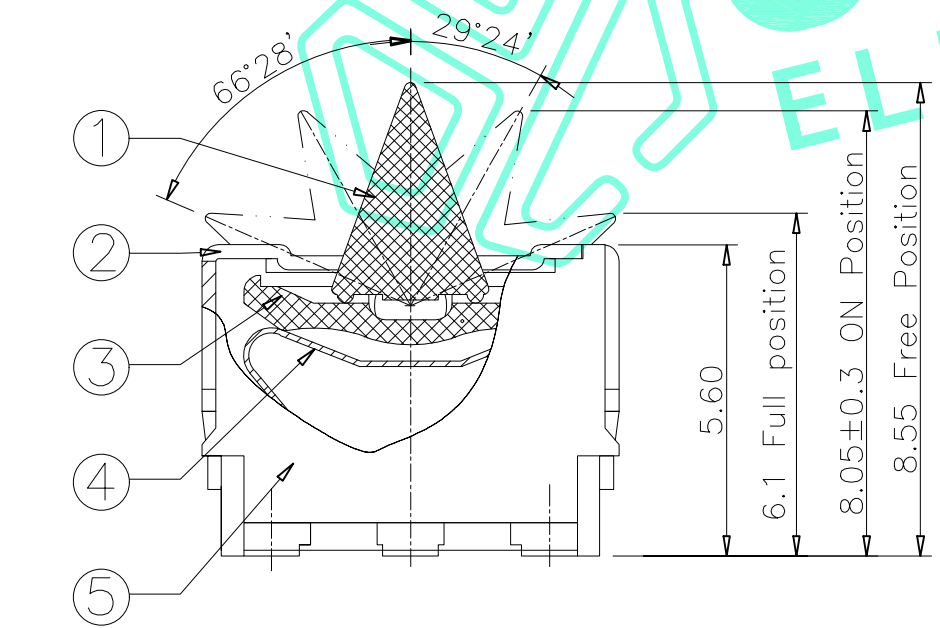
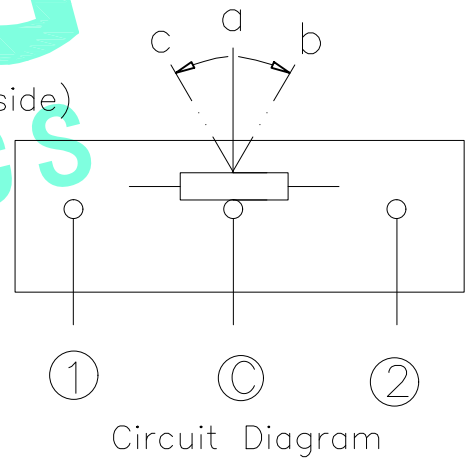
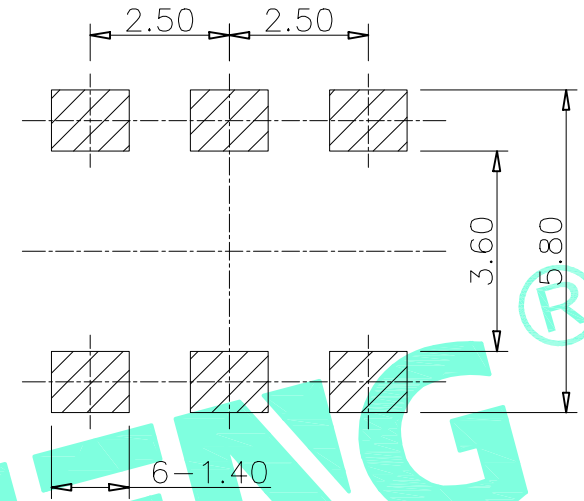
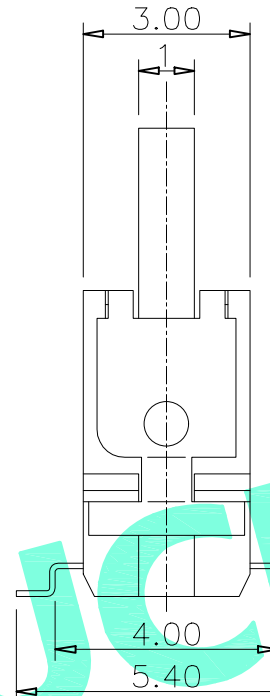
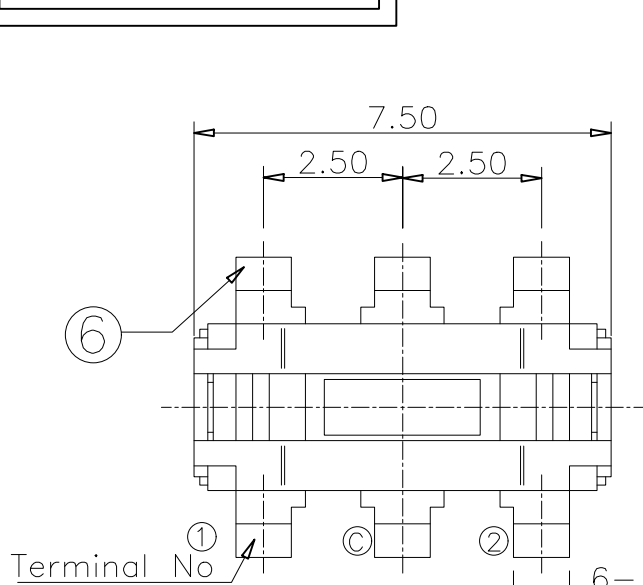


RoHS Compliant

REV. A/0	DESCRIPTION NEW	DESIGN CWF	DATE
----------	-----------------	------------	------



NOTE:
 Rating: DC 5V 10mA
 Operating Force: 35±10gf
 Lifetime: 100,000 Cycles

⑥	Terminal	6	Phosphor Bronze	Ag Plated
⑤	Housing	1	PA46	Black
④	Contact Spring	1	Be Alloy	Ag Plated
③	Frisket	1	PA46	Black
②	Cover	1	SUS	Natural
①	Slider	1	PA46	Black
ITEM	PART NAME	QTY.	MATERIAL	FINISHING

THESE DRAWINGS AND SPECIFICATIONS ARE THE PROPERTY OF SHENZHEN YUCHENG ELECTRONICS,LTD.AND SHALL NOT BE REPRODUCED,COPIED OR USED IN ANY MANNER WITHOUT THE PRIOR WRITTEN CONSENT OF SHENZHEN YUCHENG ELECTRONICS,LTD

APPROVED: WEI JIE
 CHECKED: HONG JIN YUN
 DRAWING: CHEN YA

YUCHENG ELECTRONICS 深圳市裕诚电子有限公司
 SHENZHEN YUCHENG ELECTRONICS CO.,LTD

GENERAL TOLERANCES	TITLE:	DETECTION SWITCH		
30~以上 ±0.30	PART NO:	M5-1721A		
10~30 ±0.20	WEBSITE:	www.ycelectron.com		
5~10 ±0.15	REV: A	UNIT: mm	SCALE: /	SHEET: A4
~ 5 ±0.10	SHEET: 1 / 1			