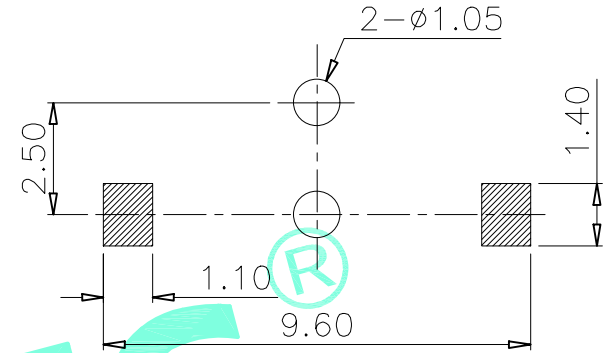
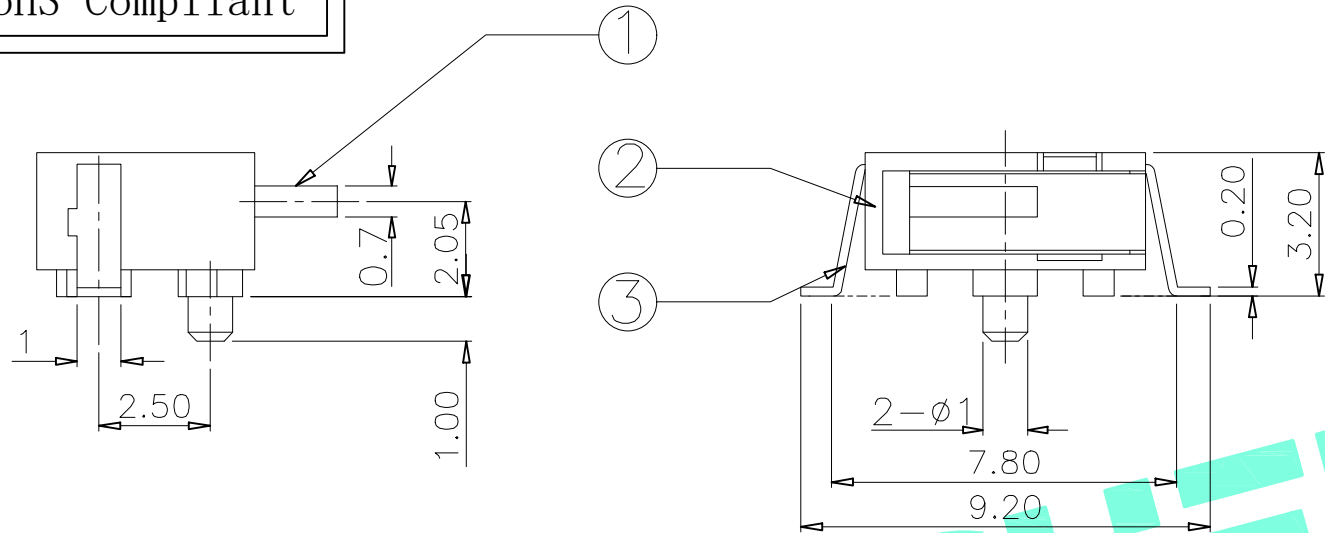
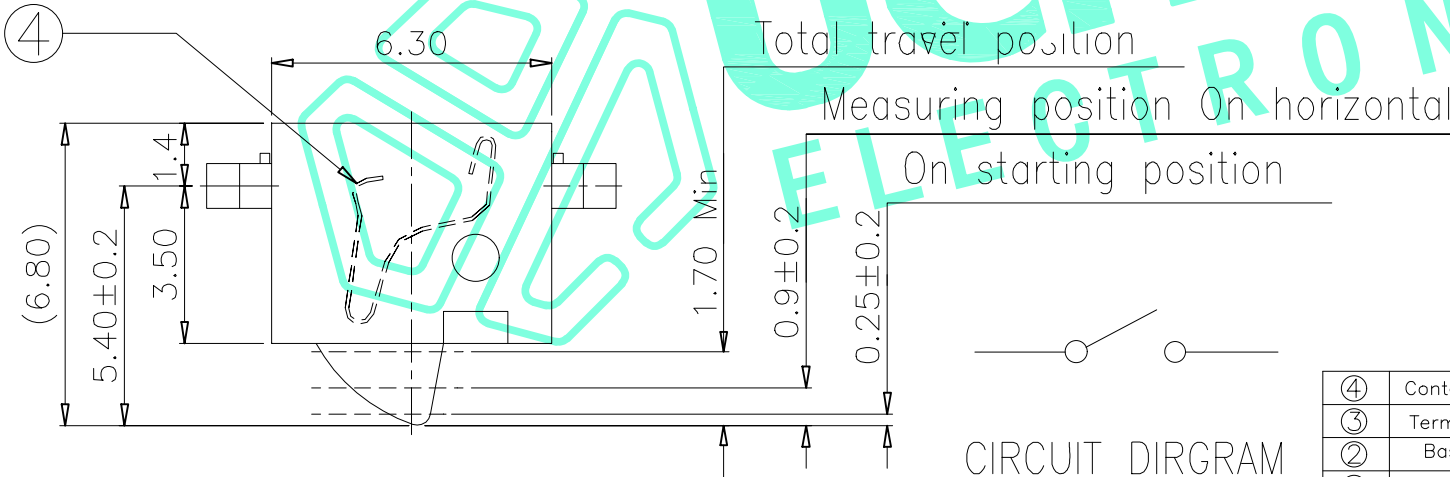


RoHS Compliant

REV. A/0	DESCRIPTION NEW	DESIGN CWF	DATE
----------	-----------------	------------	------

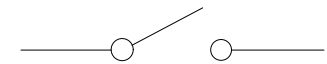


HOLE LAYOUT



Total travel position
Measuring position On horizontal
On starting position

NOTE:
Rating: DC 12V 0.1A
Operating Force: 20±10gf
Lifetime: 50,000 Cycles



CIRCUIT DIRGRAM

④	Contact Spring	1	Phosphor Bronze	Ag Clad
③	Terminal	2	Brass	Ag Plated
②	Base	1	NYLON	Black
①	Slider	1	NYLON	Cream
ITEM	PART NAME	QTY.	MATERIAL	FINISHING

Operating direction

THESE DRAWINGS AND SPECIFICATIONS ARE THE PROPERTY OF SHENZHEN YUCHENG ELECTRONICS,LTD AND SHALL NOT BE REPRODUCED,COPIED OR USED IN ANY MANNER WITHOUT THE PRIOR WRITTEN CONSENT OF SHENZHEN YUCHENG ELECTRONICS,LTD

APPROVED: WEI JIE
CHECKED: HONG JIN YUN
DRAWING: CHEN YA

YUCHENG ELECTRONICS 深圳市裕诚电子有限公司
SHENZHEN YUCHENG ELECTRONICS CO.,LTD

GENERAL TOLERANCES		TITLE:	DETECTION SWITCH	
30~以上	±0.30	PART NO:	M5-1656D	
10~30	±0.20	WEBSITE:	www.ycelectron.com	
5~10	±0.15	REV: A	UNIT: mm	SCALE: /
~ 5	±0.10		SHEET: A4	☉
SHEET: 1 / 1				