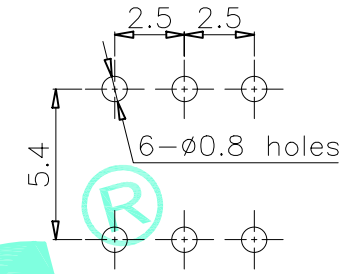
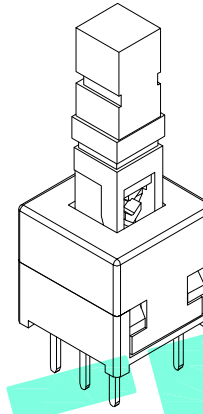
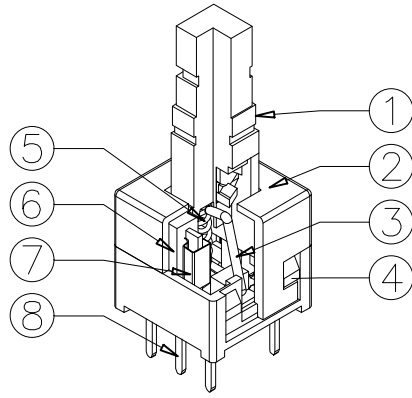
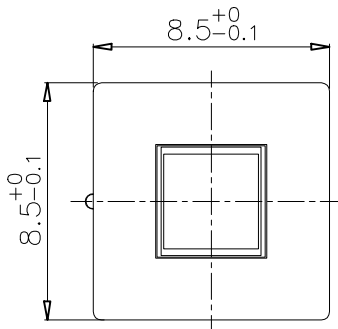
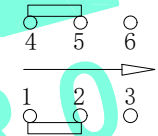
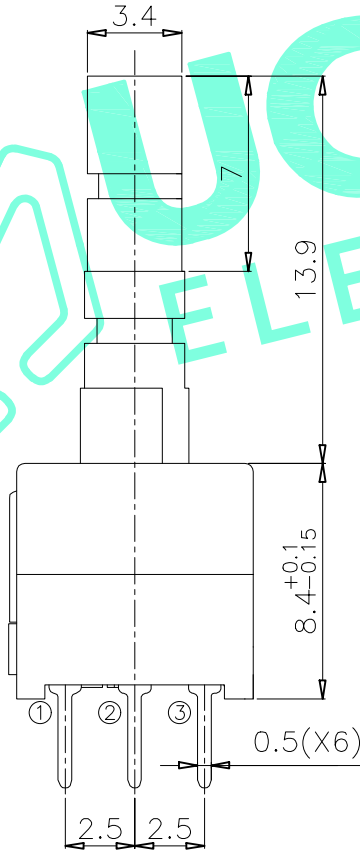
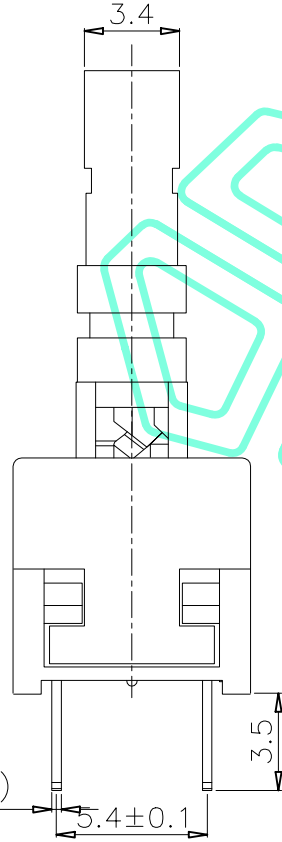


RoHS Compliant

REV. A/0	DESCRIPTION NEW	DESIGN CWF	DATE
-------------	--------------------	---------------	------



PCB Layout(Pattern Side)



Circuit Diagram

NOTE:
1. Operating Force: 240gf±80gf
2. Travel : 2.4±0.3mm

NO.	Operating Type	Part No.
1	Push To Lock	M8-1217F-D
2	Push No Lock	M8-1217F-W
3	Push No Sound No Lock	M8-1217F-J

⑧	Terminal	6	Brass strip	Plating silver
⑦	Contact	2	Phosphor bronze	Plating silver
⑥	Securing glue	2	PA66	Black
⑤	Spring	1	SUS	Natural
④	Base	1	PBT	White
③	Crochet Needle	1	SUS	Natural
②	Cover	1	POM	Black
①	KNOB	1	POM	White
ITEM	PART NAME	QTY.	MATERIAL	FINISHING

THESE DRAWINGS AND SPECIFICATIONS ARE THE PROPERTY OF SHENZHEN YUCHENG ELECTRONICS, LTD. AND SHALL NOT BE REPRODUCED, COPIED OR USED IN ANY MANNER WITHOUT THE PRIOR WRITTEN CONSENT OF SHENZHEN YUCHENG ELECTRONICS, LTD.

YUCHENG ELECTRONICS 深圳市裕诚电子有限公司
SHENZHEN YUCHENG ELECTRONICS CO.,LTD

APPROVED:	WEI JIE	GENERAL TOLERANCES	TITLE:	PUSHBUTTON SWITCHES		
CHECKED:	HONG JIN YUN	30~以上 ±0.30	PART NO.:	M8-1217F		
DRAWING:	CHEN YA	10~30 ±0.20	WEBSITE :	www.ycelectron.com		
		5~10 ±0.15	REV: A	UNIT: mm	SCALE: /	SHEET: A4
		~ 5 ±0.10				
		SHEET: 1 / 1				