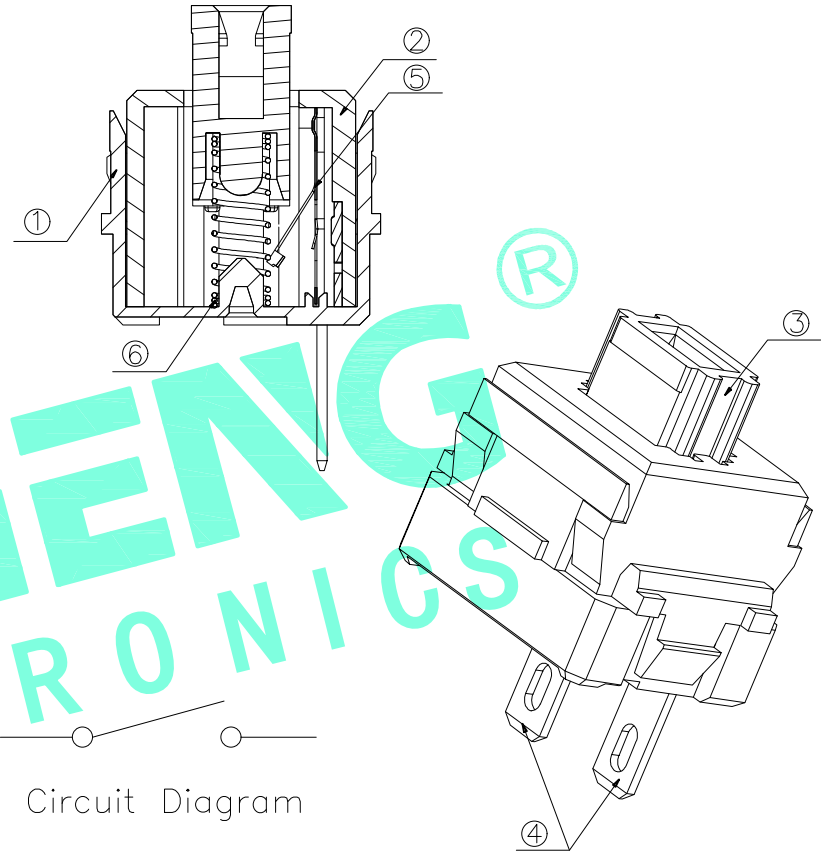
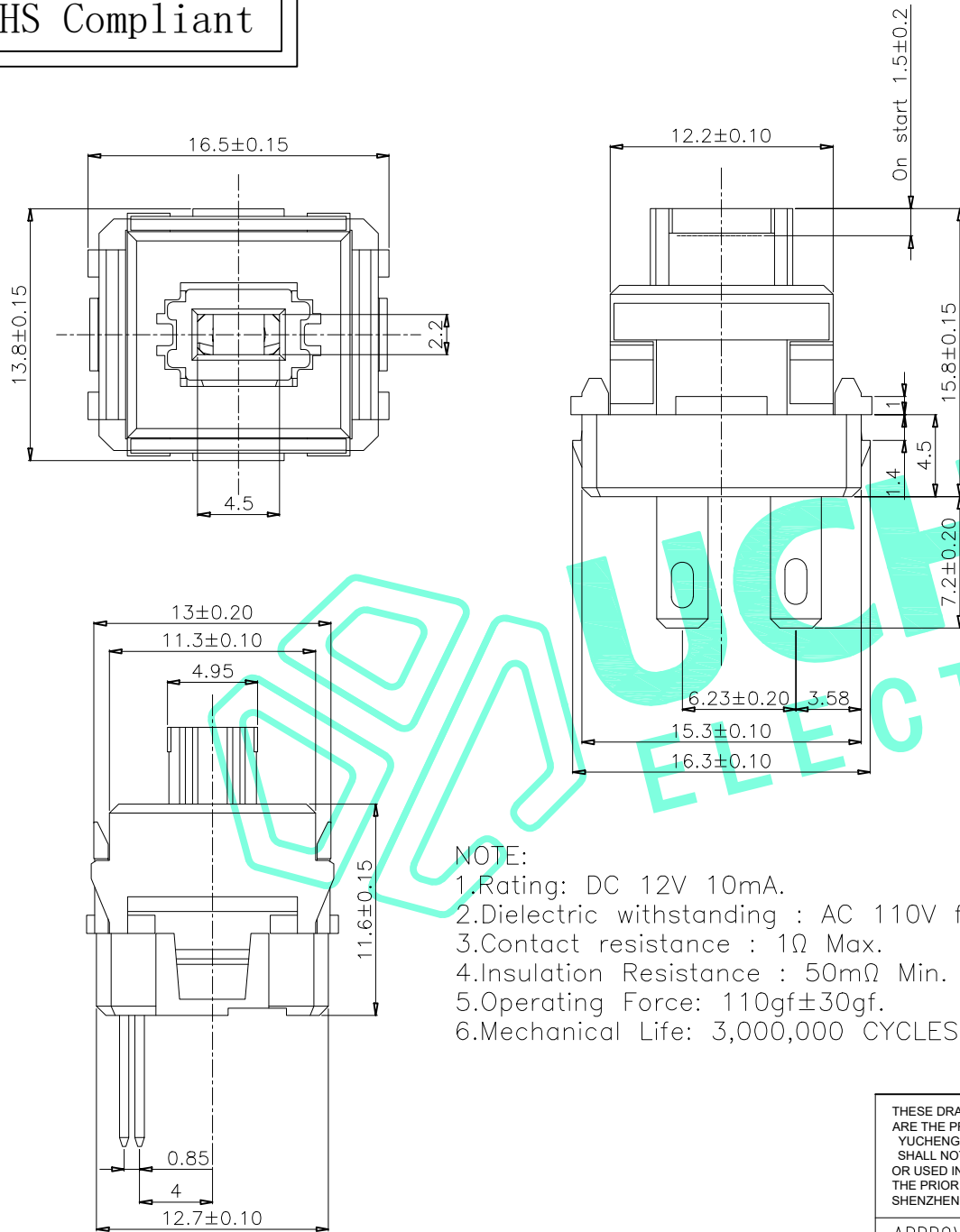


RoHS Compliant

REV. A/0	DESCRIPTION NEW	DESIGN CWF	DATE
-------------	--------------------	---------------	------



Circuit Diagram

NOTE:
 1. Rating: DC 12V 10mA.
 2. Dielectric withstanding : AC 110V for 1minute.
 3. Contact resistance : 1Ω Max.
 4. Insulation Resistance : $50m\Omega$ Min.
 5. Operating Force: $110gf \pm 30gf$.
 6. Mechanical Life: 3,000,000 CYCLES.

ITEM	PART NAME	QTY.	MATERIAL	FINISHING
⑥	Spring	1	SUS	Natural
⑤	Contact	1	SUS	Natural
④	Terminal	2	Brass	Plating silver
③	Knob	1	POM	Green
②	Cover	1	POM	Black
①	Base	1	POM	Black

THESE DRAWINGS AND SPECIFICATIONS ARE THE PROPERTY OF SHENZHEN YUCHENG ELECTRONICS, LTD. AND SHALL NOT BE REPRODUCED, COPIED OR USED IN ANY MANNER WITHOUT THE PRIOR WRITTEN CONSENT OF SHENZHEN YUCHENG ELECTRONICS, LTD.

APPROVED: WEI JIE
 CHECKED: HONG JIN YUN
 DRAWING: CHEN YA

YUCHENG 深圳市裕诚电子有限公司
 ELECTRONICS SHENZHEN YUCHENG ELECTRONICS CO.,LTD

GENERAL TOLERANCES
 30~以上 ± 0.30
 10~30 ± 0.20
 5~10 ± 0.15
 ~ 5 ± 0.10

TITLE: PUSHBUTTON SWITCHES
 PART NO: M8-1253E
 WEBSITE: www.ycelectron.com
 REV: A UNIT: mm SCALE: / SHEET: A4