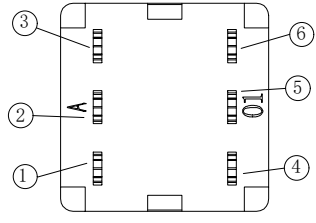
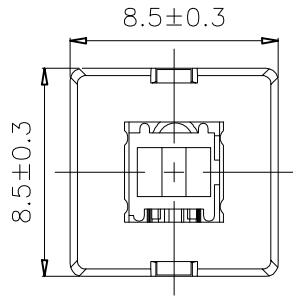
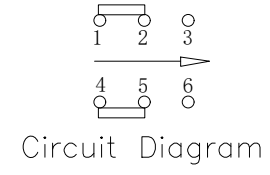
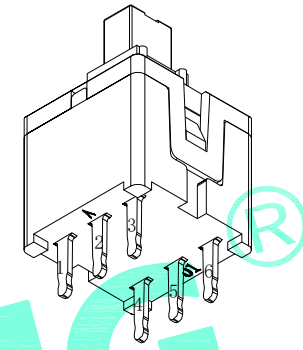
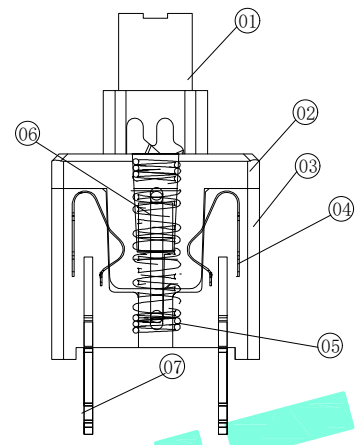


RoHS Compliant

REV. A/0	DESCRIPTION NEW	DESIGN CWF	DATE
----------	-----------------	------------	------

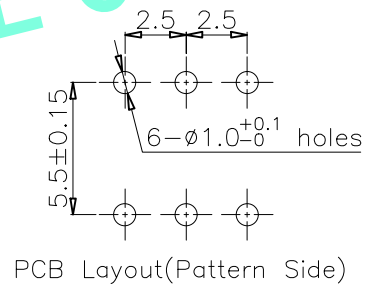
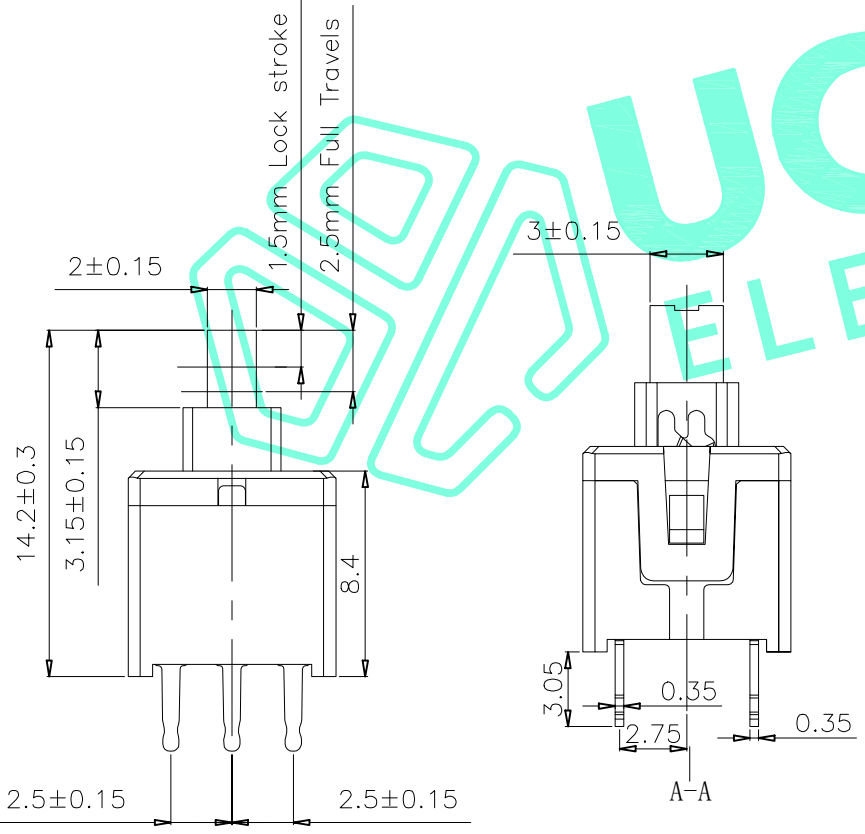


A-A VIEW



NO.	Operating Type	Part No.	Force
1	Push To Lock (自锁)	M8-1262F-Z	180gf±50gf
2			250gf±50gf
3			300gf±100gf
4	Push No Lock (无锁)	M8-1262F-W	180gf±50gf
5			250gf±50gf
6			300gf±100gf

NOTE:  
 1. Rating : DC 12V 0.1A  
 2. Mechanical life: 100,000cycles



ITEM	PART NAME	QTY.	MATERIAL	FINISHING
⑦	Terminal	6	Copper Alloy	Plating silver
⑥	CAM Stick	1	SUS	Black
⑤	Spring	1	SUS	Natural
④	Contact	2	Phosphor bronze	Plating silver
③	Base	1	PA66	Gray/Black
②	Cover	1	POM	Gray/Black
①	KNOB	1	POM	White/Black

THESE DRAWINGS AND SPECIFICATIONS ARE THE PROPERTY OF SHENZHEN YUCHENG ELECTRONICS.LTD AND SHALL NOT BE REPRODUCED, COPIED OR USED IN ANY MANNER WITHOUT THE PRIOR WRITTEN CONSENT OF SHENZHEN YUCHENG ELECTRONICS.LTD

APPROVED: WEI JIE  
 CHECKED: HONG JIN YUN  
 DRAWING: CHEN YA

**UCHENG** 深圳市裕诚电子有限公司  
 SHENZHEN YUCHENG ELECTRONICS CO.,LTD

GENERAL TOLERANCES  
 30~以上 ±0.30  
 10~30 ±0.20  
 5~10 ±0.15  
 ~ 5 ±0.10

TITLE: PUSHBUTTON SWITCHES  
 PART NO: M8-1262F  
 WEBSITE: www.ycelectron.com  
 REV: A UNIT: mm SCALE: / SHEET: A4