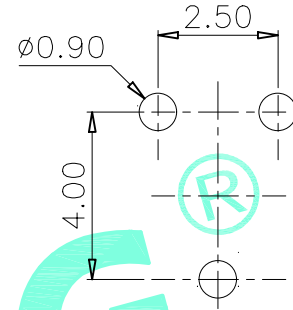
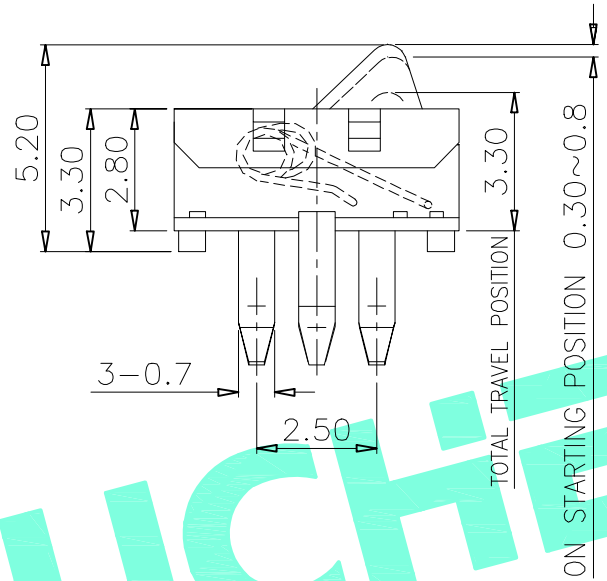
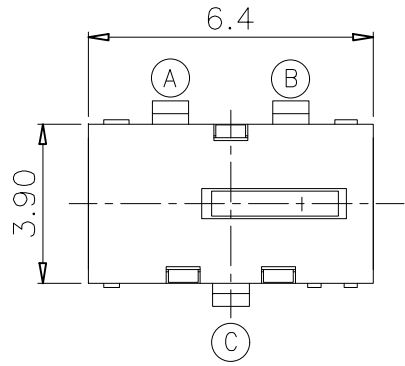
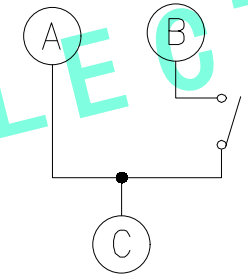
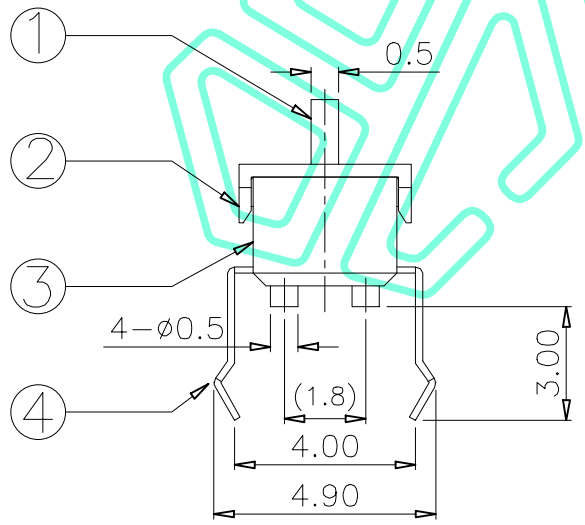


RoHS Compliant

| | | | |
|----------|-----------------|------------|------|
| REV. A/0 | DESCRIPTION NEW | DESIGN CWF | DATE |
|----------|-----------------|------------|------|



PCB Layout(Pattern side)



Circuit Diagram

NOTE:
 Rating: DC 16V 0.5A
 Operating Force: 30 ± 10 gf
 Lifetime: 50,000 Cycles

| ITEM | PART NAME | QTY. | MATERIAL | FINISHING |
|------|----------------|------|-----------------|-----------|
| ⑤ | Contact Spring | 1 | Phosphor Bronze | Ag Plated |
| ④ | Terminal | 4 | Brass | Ag Plated |
| ③ | Base | 1 | NYLON | Black |
| ② | Cover | 1 | NYLON | Black |
| ① | Slider | 1 | POM | White |

THESE DRAWINGS AND SPECIFICATIONS ARE THE PROPERTY OF SHENZHEN YUCHENG ELECTRONICS,LTD.AND SHALL NOT BE REPRODUCED,COPIED OR USED IN ANY MANNER WITHOUT THE PRIOR WRITTEN CONSENT OF SHENZHEN YUCHENG ELECTRONICS,LTD

APPROVED: WEI JIE
 CHECKED: HONG JIN YUN
 DRAWING: CHEN YA

UCHENG ELECTRONICS 深圳市裕诚电子有限公司
 SHENZHEN YUCHENG ELECTRONICS CO.,LTD

| | | | |
|--------------------|------------|-----------------------------|----------|
| GENERAL TOLERANCES | | TITLE: DETECTION SWITCH | |
| 30~以上 | ± 0.30 | PART NO: M5-1630A | |
| 10~30 | ± 0.20 | WEBSITE: www.ycelectron.com | |
| 5~10 | ± 0.15 | REV: A | |
| ~ 5 | ± 0.10 | UNIT: mm | SCALE: / |
| SHEET: 1 / 1 | | SHEET: A4 | |