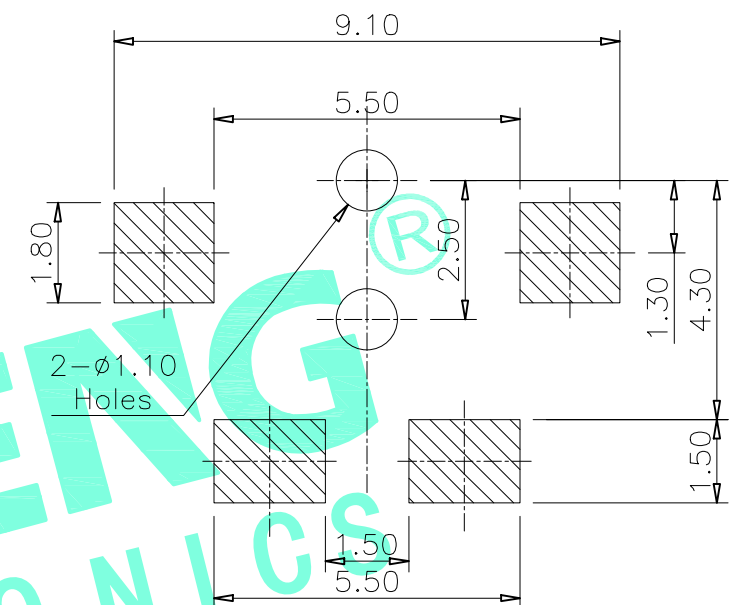
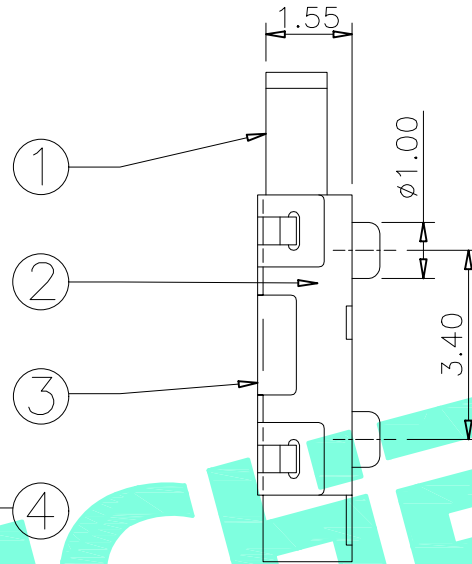
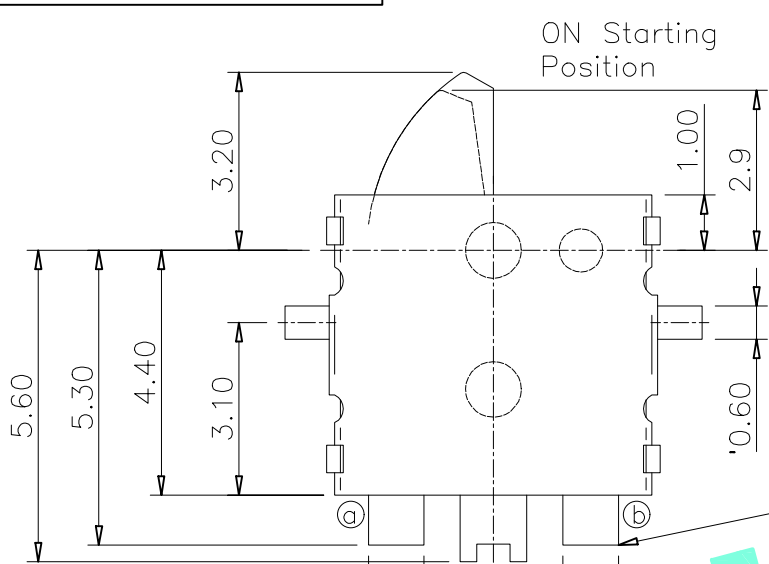
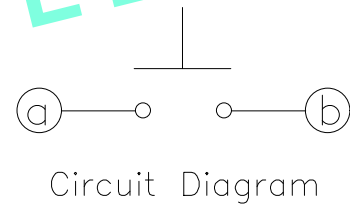
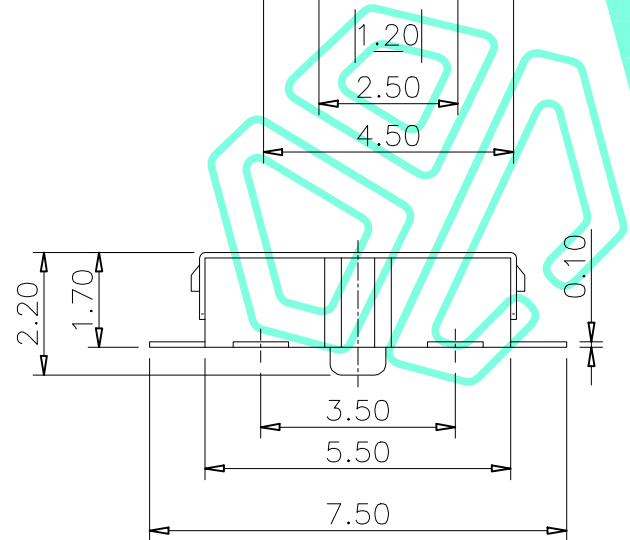


RoHS Compliant

REV. A/0	DESCRIPTION NEW	DESIGN CWF	DATE
-------------	--------------------	---------------	------



PCB Layout (Pattern side)



⑤	Contact Spring	1	Be Alloy	Ag Plated
④	Terminal	2	Phosphor Bronze	Ag Plated
③	Cover	1	SUS	Natural
②	Housing	1	LCP	Black
①	Slider	1	PA46	Black
ITEM	PART NAME	QTY.	MATERIAL	FINISHING

NOTE:
 Rating: DC 30V 0.1A
 Operating Force: 20±10gf
 Lifetime: 50,000 Cycles

THESE DRAWINGS AND SPECIFICATIONS ARE THE PROPERTY OF SHENZHEN YUCHENG ELECTRONICS, LTD. AND SHALL NOT BE REPRODUCED, COPIED OR USED IN ANY MANNER WITHOUT THE PRIOR WRITTEN CONSENT OF SHENZHEN YUCHENG ELECTRONICS, LTD.

APPROVED: WEI JIE
 CHECKED: HONG JIN YUN
 DRAWING: CHEN YA

UCHENG 深圳市裕诚电子有限公司
 ELECTRONICS SHENZHEN YUCHENG ELECTRONICS CO.,LTD

GENERAL TOLERANCES		TITLE:		DETECTION SWITCH	
30~以上	±0.30	PART NO:		M5-1663D-Z	
10~30	±0.20	WEBSITE:		www.ycelectron.com	
5~10	±0.15	REV: A		UNIT: mm	SCALE: /
~ 5	±0.10	SHEET: 1 / 1		SHEET: A4	☉