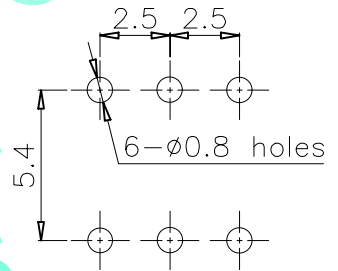
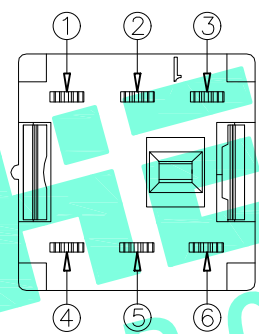
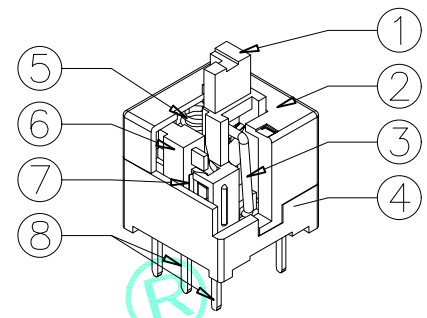
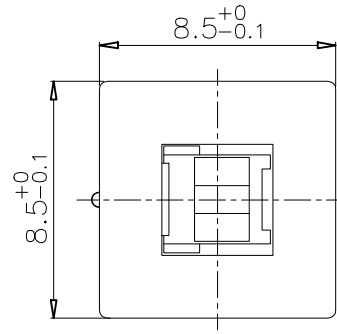
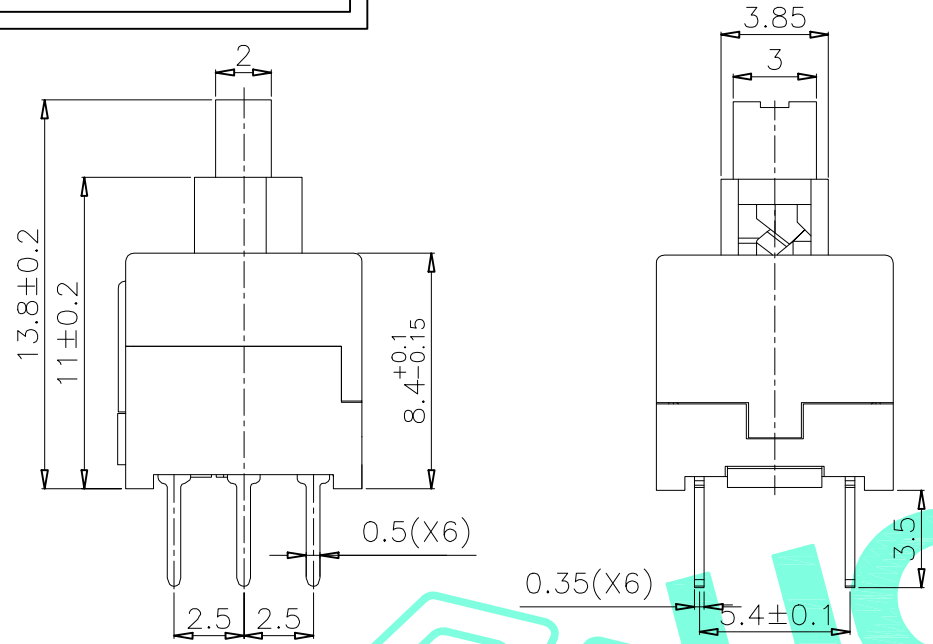
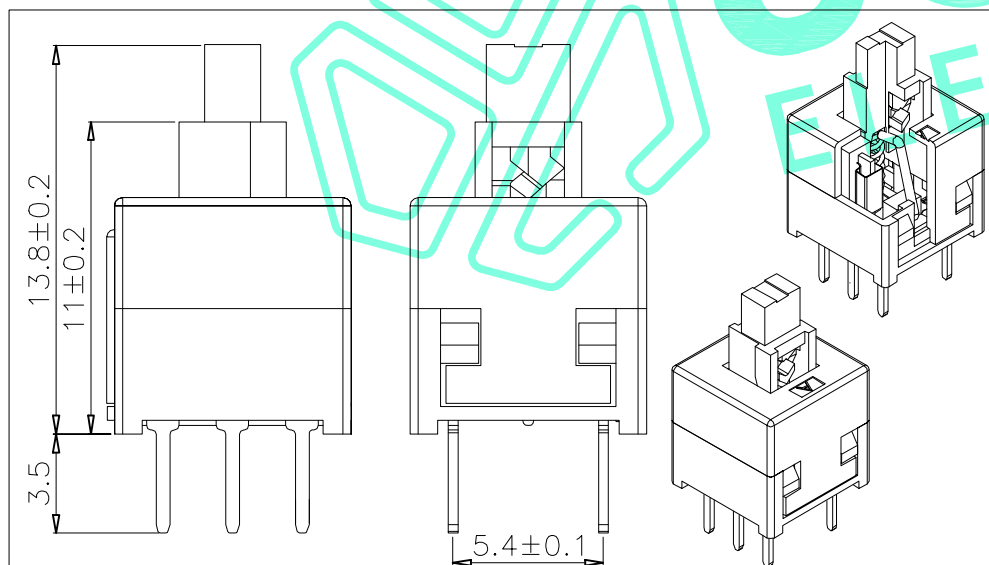


RoHS Compliant

REV.	DESCRIPTION	DESIGN	DATE
A/0	NEW	CWF	



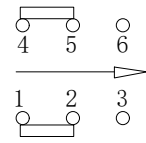
PCB Layout(Pattern Side)



NO.	Operating Type	Part No.
1	Push To Lock	M8-1252F-DY
2	Push No Lock	M8-1252F-WY
3	Push No Sound No Lock	M8-1252F-JY

Cover type: Outer buckle

NOTE:
 1. Operating Force: 240gf±80gf
 2. Total Travel : 2.4±0.3mm
 3. Pre Travel: 1.5±0.3mm



Circuit Diagram

NO.	Operating Type	Part No.
1	Push To Lock	M8-1252F-D
2	Push No Lock	M8-1252F-W
3	Push No Sound No Lock	M8-1252F-J

ITEM	PART NAME	QTY.	MATERIAL	FINISHING
⑧	Terminal	6	Brass strip	Plating silver
⑦	Contact	2	Phosphor bronze	Plating silver
⑥	Securing glue	2	PA66	Black
⑤	Spring	1	SUS	Natural
④	Base	1	PBT	Black
③	Crochet Needle	1	SUS	Natural
②	Cover	1	POM	Gray
①	KNOB	1	POM	White/Black

THESE DRAWINGS AND SPECIFICATIONS ARE THE PROPERTY OF SHENZHEN YUCHENG ELECTRONICS, LTD AND SHALL NOT BE REPRODUCED, COPIED OR USED IN ANY MANNER WITHOUT THE PRIOR WRITTEN CONSENT OF SHENZHEN YUCHENG ELECTRONICS, LTD

YUCHENG ELECTRONICS 深圳市裕诚电子有限公司
 SHENZHEN YUCHENG ELECTRONICS CO.,LTD

APPROVED: WEI JIE
 CHECKED: HONG JIN YUN
 DRAWING: CHEN YA

GENERAL TOLERANCES	TITLE:	PUSHBUTTON SWITCHES		
30~以上 ±0.30	PART NO:	M8-1252F		
10~30 ±0.20	WEBSITE:	www.ycelectron.com		
5~10 ±0.15	REV: A	UNIT: mm	SCALE: /	SHEET: A4
~ 5 ±0.10	SHEET: 1 / 1			