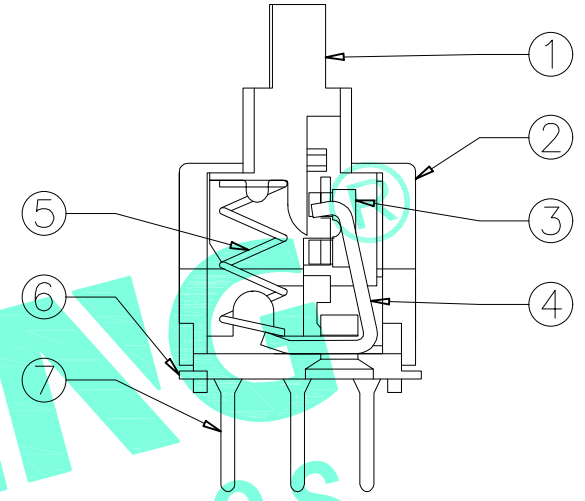
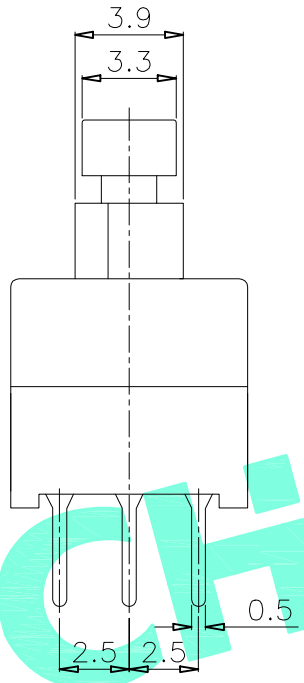
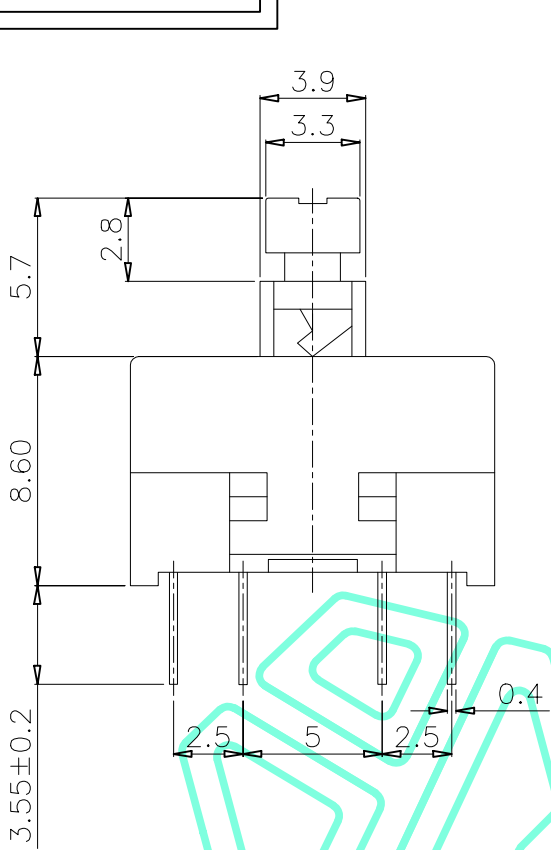


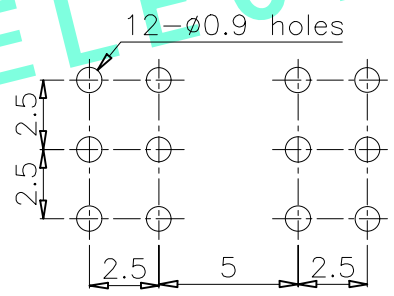
RoHS Compliant

REV. A/0	DESCRIPTION NEW	DESIGN CWF	DATE
-------------	--------------------	---------------	------

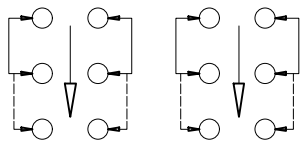
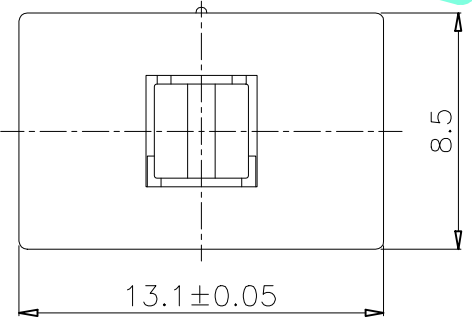


NOTE:  
1. Operating Force: 400gf±80gf  
2. Travel : 2.5±0.3mm

NO.	Operating Type	Part No.
1	Push To Lock	M8-1215D-D
2	Push No Lock	M8-1215D-W



PCB Layout(Pattern Side)



Circuit Diagram

THESE DRAWINGS AND SPECIFICATIONS ARE THE PROPERTY OF SHENZHEN YUCHENG ELECTRONICS.,LTD AND SHALL NOT BE REPRODUCED, COPIED OR USED IN ANY MANNER WITHOUT THE PRIOR WRITTEN CONSENT OF SHENZHEN YUCHENG ELECTRONICS.,LTD

APPROVED:	WEI JIE
CHECKED:	HONG JIN YUN
DRAWING:	CHEN YA

ITEM	PART NAME	QTY.	MATERIAL	FINISHING
⑦	Terminal	12	Brass strip	Plating silver
⑥	Base	1	PBT	Black
⑤	Spring	1	SUS	Natural
④	Crochet Needle	1	SUS	Natural
③	Contact	4	Phosphor bronze	Plating silver
②	Cover	1	PA66	Black
①	KNOB	1	POM	White

**UCHENG** 深圳市裕诚电子有限公司  
ELECTRONICS SHENZHEN YUCHENG ELECTRONICS CO.,LTD

GENERAL TOLERANCES		TITLE: PUSHBUTTON SWITCHES	
30~以上	±0.30	PART NO: M8-1215D	
10~30	±0.20	WEBSITE: www.ycelectron.com	
5~10	±0.15	REV: A	
~ 5	±0.10	UNIT: mm	SCALE: /
SHEET: 1 / 1		SHEET: A4	