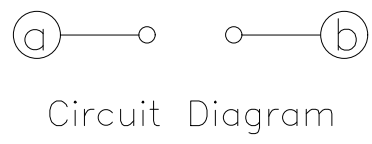
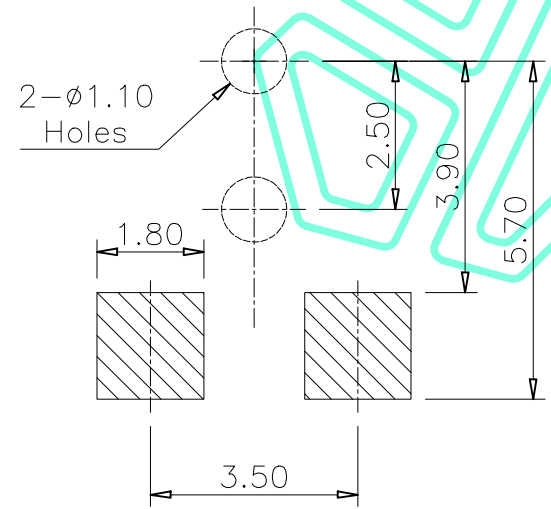
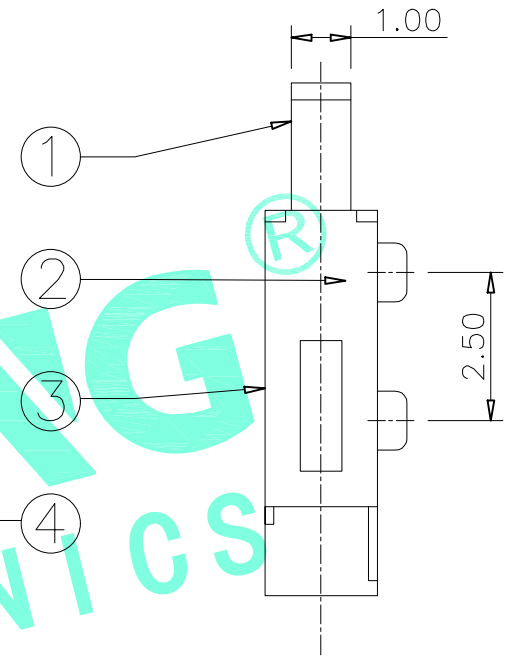
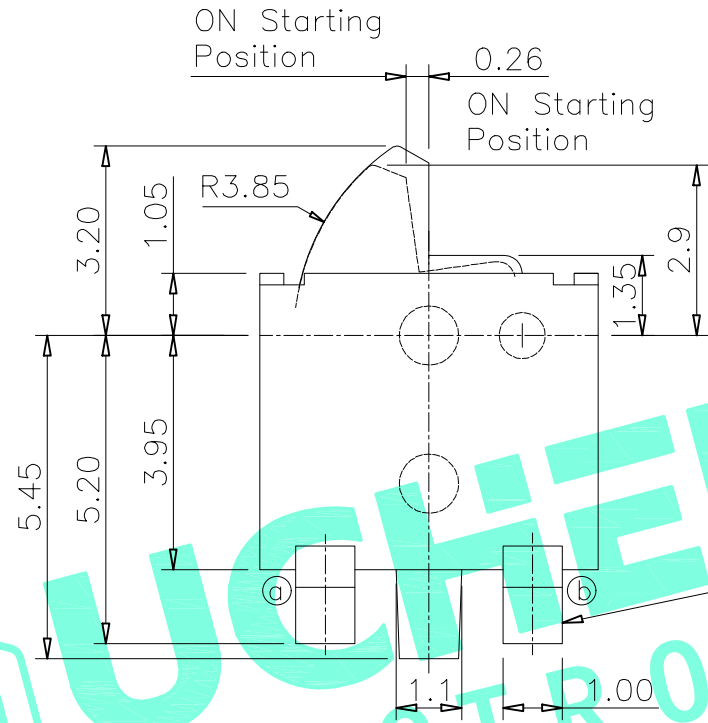
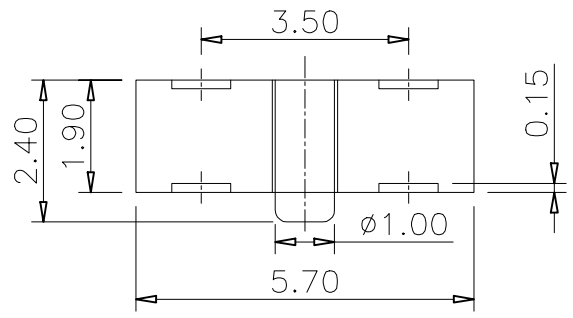


RoHS Compliant

REV. A/0	DESCRIPTION NEW	DESIGN CWF	DATE
----------	-----------------	------------	------



NOTE:
 Rating: DC 12V 50mA
 Operating Force: 20±10gf
 Lifetime: 100,000 Cycles

⑤	Contact Spring	1	Be Alloy	Ag Plated
④	Terminal	2	Phosphor Bronze	Ag Plated
③	Cover	1	SUS	Natural
②	Housing	1	LCP	Black
①	Slider	1	PA46	Black
ITEM	PART NAME	QTY.	MATERIAL	FINISHING

THESE DRAWINGS AND SPECIFICATIONS ARE THE PROPERTY OF SHENZHEN YUCHENG ELECTRONICS,LTD.AND SHALL NOT BE REPRODUCED,COPIED OR USED IN ANY MANNER WITHOUT THE PRIOR WRITTEN CONSENT OF SHENZHEN YUCHENG ELECTRONICS,LTD

APPROVED: WEI JIE
 CHECKED: HONG JIN YUN
 DRAWING: CHEN YA

UCHENG ELECTRONICS 深圳市裕诚电子有限公司
 SHENZHEN YUCHENG ELECTRONICS CO.,LTD

GENERAL TOLERANCES		TITLE: DETECTION SWITCH	
30~以上	±0.30	PART NO: M5-1632A	
10~30	±0.20	WEBSITE: www.ycelectron.com	
5~10	±0.15	REV: A	
~ 5	±0.10	UNIT: mm	SCALE: /
SHEET: 1 / 1		SHEET: A4	

PCB Layout(Pattern side)