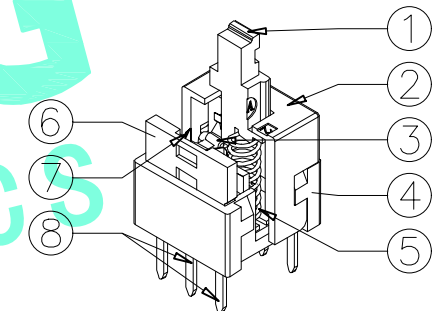
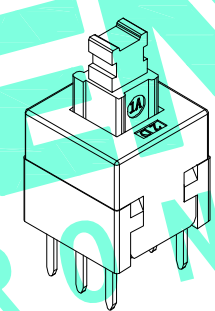
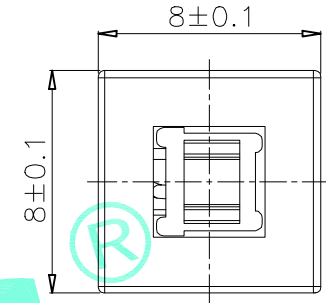
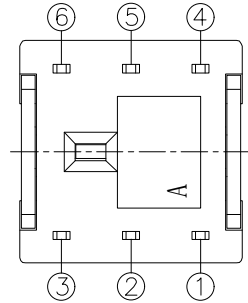
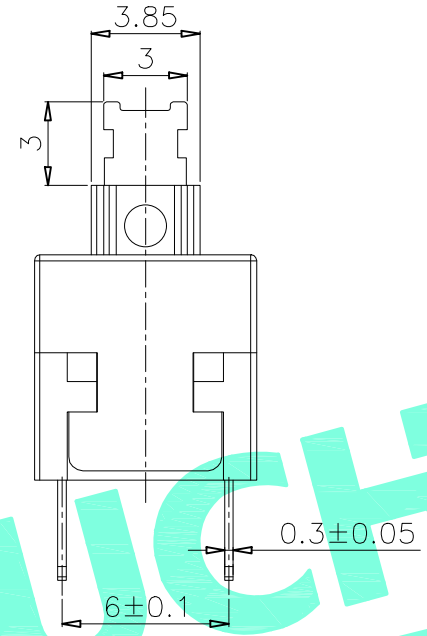
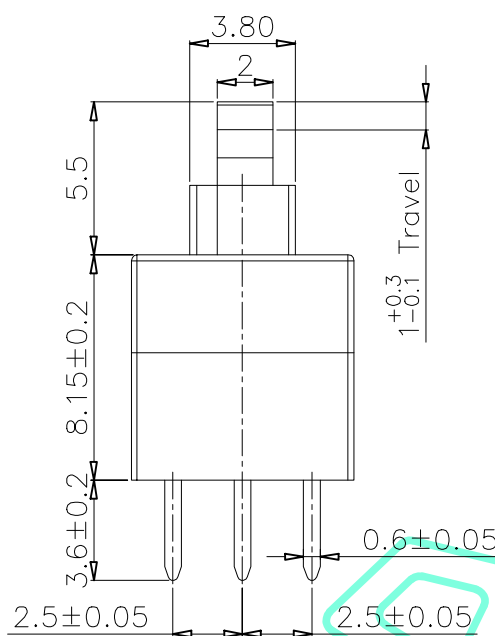
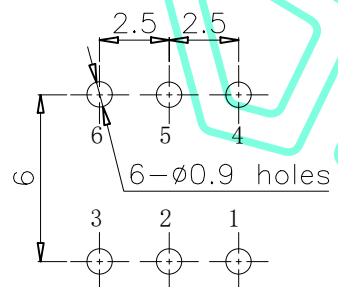


RoHS Compliant

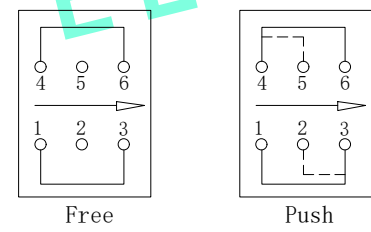
REV. A/0	DESCRIPTION NEW	DESIGN CWF	DATE
----------	-----------------	------------	------



NOTE:  
1. Operating Force: 180gf±50gf  
2. Travel : 2.4±0.3mm



PCB Layout(Pattern Side)



Circuit Diagram

⑧	Terminal	6	Brass strip	Plating silver
⑦	Contact	2	Phosphor bronze	Plating silver
⑥	Securing glue	2	PA66	Black
⑤	Spring	1	SUS	Natural
④	Base	1	PBT	Black
③	Crochet Needle	1	SUS	Natural
②	Cover	1	POM	White
①	KNOB	1	POM	Blue
ITEM	PART NAME	QTY.	MATERIAL	FINISHING

NO.	Operating Type	Part No.	Base Colour	Cover Colour	Knob Colour
1	Push To Lock	M8-1226E-D	Black	White	Blue
2	Push No Lock	M8-1226E-W	White	Black	Black
3	Push No Sound No Lock	M8-1226E-J	White	Black	White

THESE DRAWINGS AND SPECIFICATIONS ARE THE PROPERTY OF SHENZHEN YUCHENG ELECTRONICS, LTD. AND SHALL NOT BE REPRODUCED, COPIED OR USED IN ANY MANNER WITHOUT THE PRIOR WRITTEN CONSENT OF SHENZHEN YUCHENG ELECTRONICS, LTD.

APPROVED: WEI JIE  
CHECKED: HONG JIN YUN  
DRAWING: CHEN YA

**YUCHENG ELECTRONICS** 深圳市裕诚电子有限公司  
SHENZHEN YUCHENG ELECTRONICS CO.,LTD

GENERAL TOLERANCES  
30~以上 ±0.30  
10~30 ±0.20  
5~10 ±0.15  
~ 5 ±0.10

SHEET: 1 / 1

TITLE: PUSHBUTTON SWITCHES  
PART NO: M8-1226E  
WEBSITE: www.ycelectron.com  
REV: A UNIT: mm SCALE: / SHEET: A4