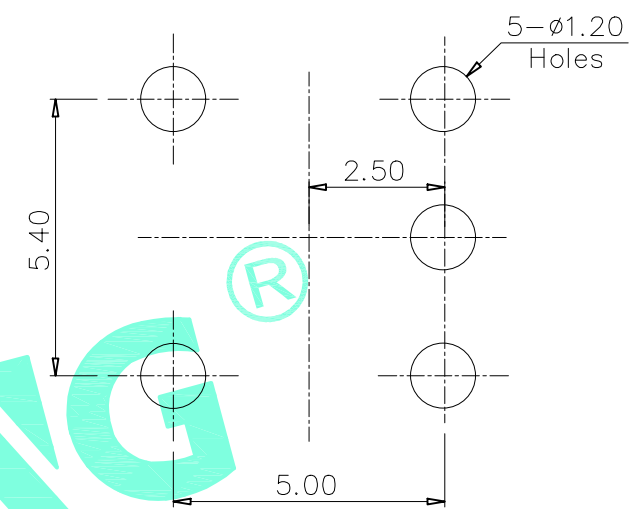
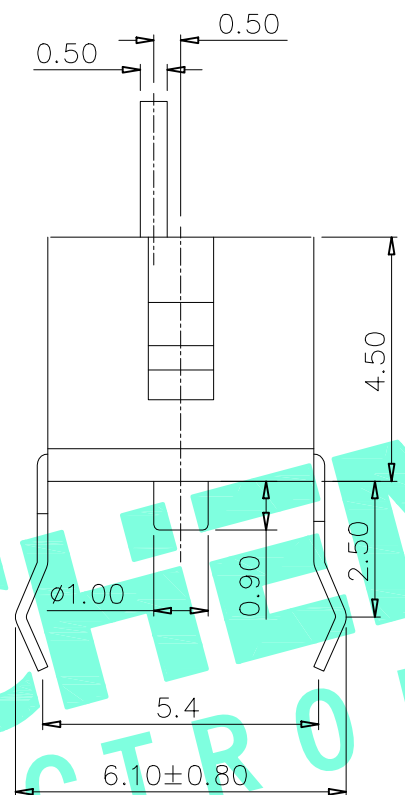
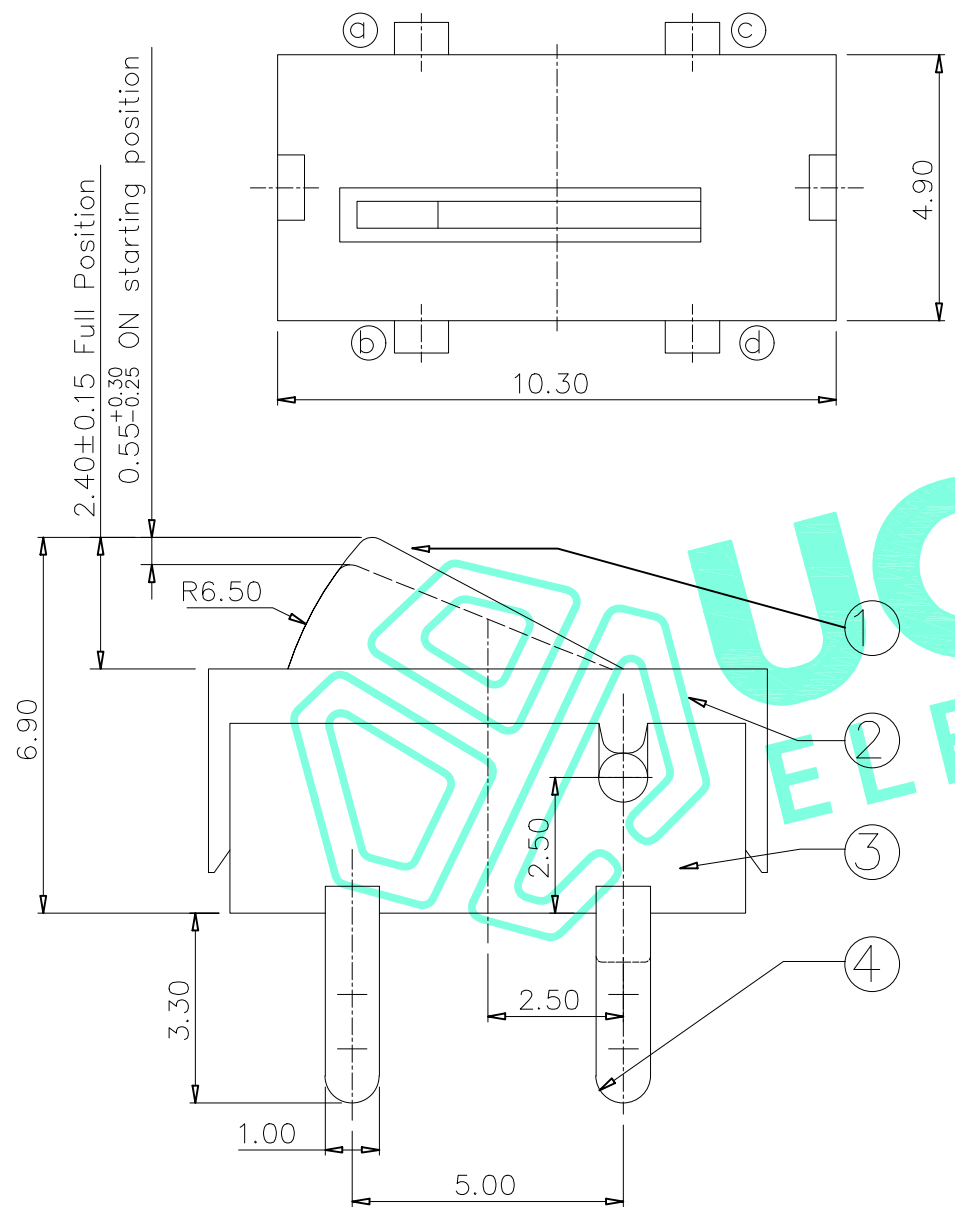
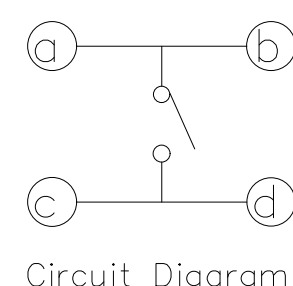
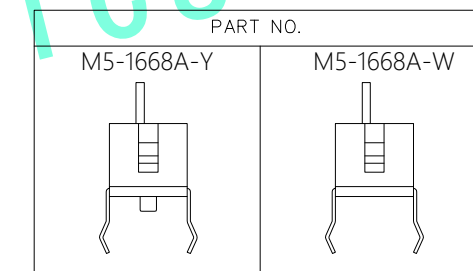


RoHS Compliant

REV. A/0	DESCRIPTION NEW	DESIGN CWF	DATE
-------------	--------------------	---------------	------



PCB Layout(Pattern side)



Circuit Diagram

NOTE:
Rating: DC 16V 1A
Operating Force: 30±10gf
Lifetime: 50,000 Cycles

ITEM	PART NAME	QTY.	MATERIAL	FINISHING
⑤	Contact Spring	1	Phosphor bronze	Ag Plated
④	Terminal	4	Brass	Ag Plated
③	Housing	1	PA46	Black
②	Cover	1	PA46	Black
①	Slider	1	POM	White

THESE DRAWINGS AND SPECIFICATIONS ARE THE PROPERTY OF SHENZHEN YUCHENG ELECTRONICS,LTD.AND SHALL NOT BE REPRODUCED,COPIED OR USED IN ANY MANNER WITHOUT THE PRIOR WRITTEN CONSENT OF SHENZHEN YUCHENG ELECTRONICS,LTD

YUCHENG ELECTRONICS 深圳市裕诚电子有限公司
SHENZHEN YUCHENG ELECTRONICS CO.,LTD

APPROVED:	WEI JIE	GENERAL TOLERANCES	TITLE:	DETECTION SWITCH		
CHECKED:	HONG JIN YUN	30~以上 ±0.30	PART NO.:	M5-1668A		
DRAWING:	CHEN YA	10~30 ±0.20	WEBSITE:	www.ycelectron.com		
		5~10 ±0.15	REV: A	UNIT: mm	SCALE: /	SHEET: A4
		~ 5 ±0.10				
		SHEET: 1 / 1				