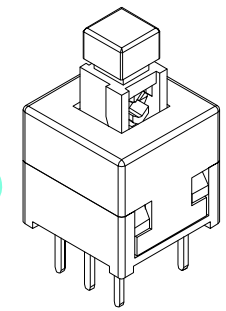
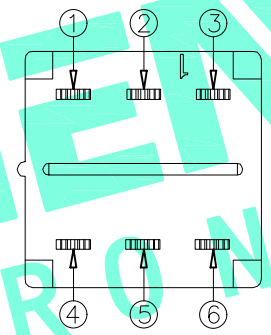
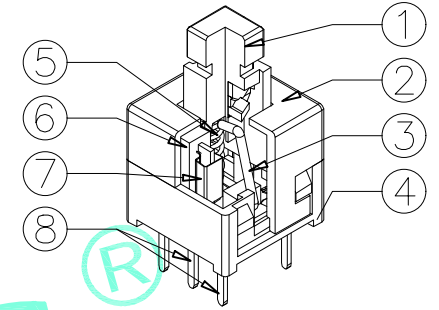
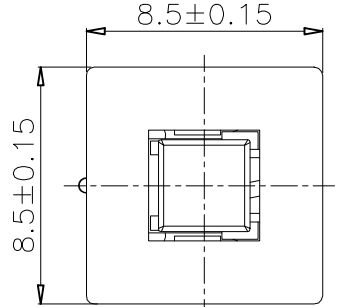
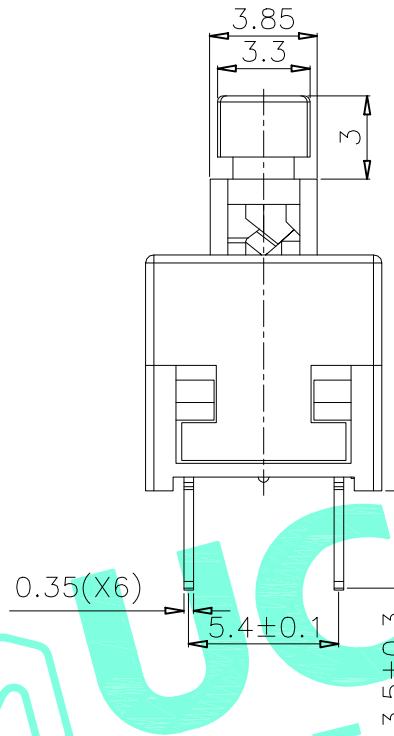
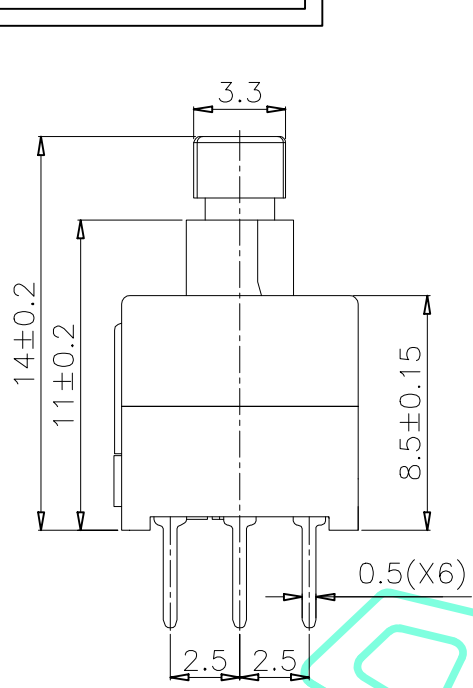
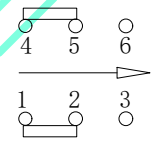
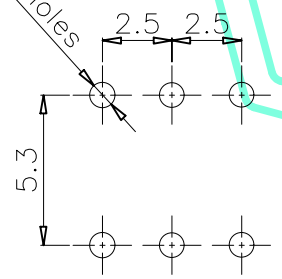


RoHS Compliant

REV. A/0	DESCRIPTION NEW	DESIGN CWF	DATE
-------------	--------------------	---------------	------



6-∅0.8 holes



PCB Layout(Pattern Side) Circuit Diagram

NO.	Operating Type	Part No.
1	Push To Lock	M8-1211D-D
2	Push No Lock	M8-1211D-W
3	Push No Sound No Lock	M8-1211D-J

⑧	Terminal	6	Brass strip	Plating silver
⑦	Contact	2	Phosphor bronze	Plating silver
⑥	Securing glue	2	PA66	Black
⑤	Spring	1	SUS	Natural
④	Base	1	PBT	Black
③	Crochet Needle	1	SUS	Natural
②	Cover	1	POM	Black
①	KNOB	1	POM	White/Grey
ITEM	PART NAME	QTY.	MATERIAL	FINISHING

NOTE:
 1. Operating Force: 240gf±80gf
 2. Total Travel : 2.4±0.3mm
 3. Pre Travel: 1.5±0.3mm

THESE DRAWINGS AND SPECIFICATIONS ARE THE PROPERTY OF SHENZHEN YUCHENG ELECTRONICS, LTD. AND SHALL NOT BE REPRODUCED, COPIED OR USED IN ANY MANNER WITHOUT THE PRIOR WRITTEN CONSENT OF SHENZHEN YUCHENG ELECTRONICS, LTD.

APPROVED: WEI JIE
 CHECKED: HONG JIN YUN
 DRAWING: CHEN YA

UCHENG 深圳市裕诚电子有限公司
 ELECTRONICS SHENZHEN YUCHENG ELECTRONICS CO.,LTD

GENERAL TOLERANCES	TITLE:	PUSHBUTTON SWITCHES		
30~以上 ±0.30	PART NO:	M8-1211D		
10~30 ±0.20	WEBSITE:	www.ycelectron.com		
5~10 ±0.15	REV: A	UNIT: mm	SCALE: /	SHEET: A4
~ 5 ±0.10				
SHEET: 1 / 1				