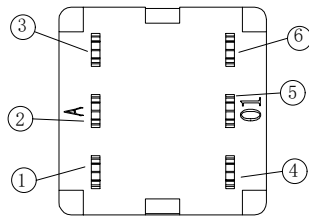
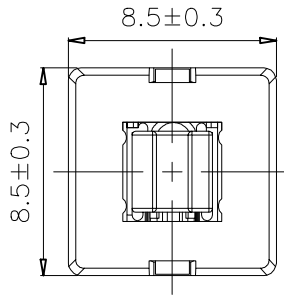
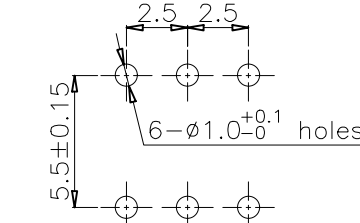
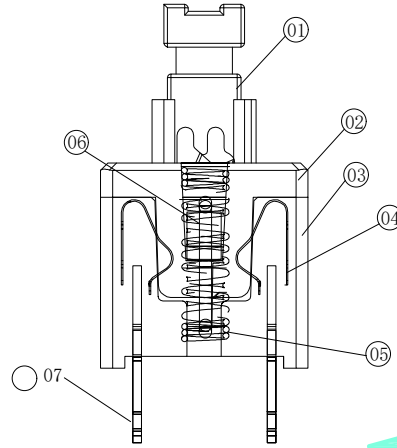


RoHS Compliant

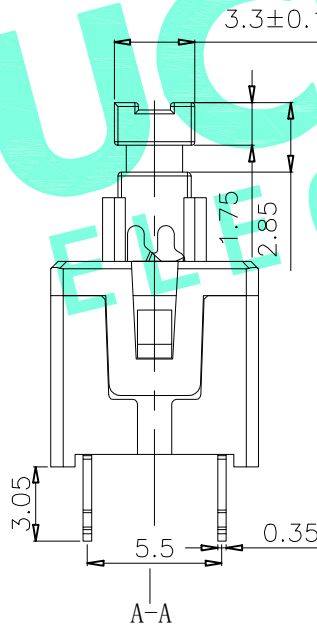
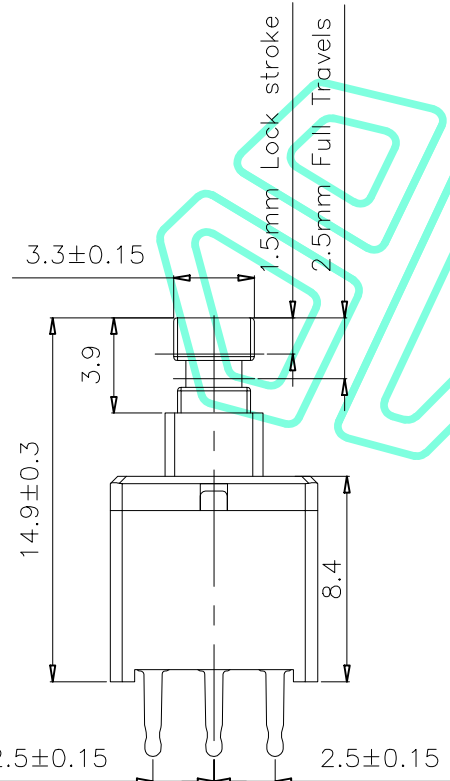
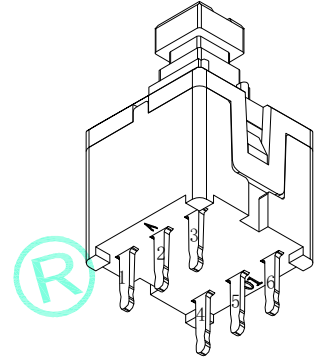
REV.	DESCRIPTION	DESIGN	DATE
A/0	NEW	CFW	



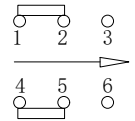
A-A VIEW



PCB Layout(Pattern Side)



Circuit Diagram



NO.	Operating Type	Part No.	Force
1			180gf±50gf
2	Push To Lock (自锁)	M8-1261D-Z	250gf±50gf
3			300gf±100gf
4			180gf±50gf
5	Push No Lock (无锁)	M8-1261D-W	250gf±50gf
6			300gf±100gf

NOTE:
 1. Rating : DC 12V 0.1A
 2. Mechanical life: 100,000cycles

ITEM	PART NAME	QTY.	MATERIAL	FINISHING
⑦	Terminal	6	Copper Alloy	Plating silver
⑥	CAM Stick	1	SUS	Black
⑤	Spring	1	SUS	Natural
④	Contact	2	Phosphor bronze	Plating silver
③	Base	1	PA66	Gray/Black
②	Cover	1	POM	Gray/Black
①	KNOB	1	POM	White/Black

THESE DRAWINGS AND SPECIFICATIONS ARE THE PROPERTY OF SHENZHEN YUCHENG ELECTRONICS,LTD.AND SHALL NOT BE REPRODUCED,COPIED OR USED IN ANY MANNER WITHOUT THE PRIOR WRITTEN CONSENT OF SHENZHEN YUCHENG ELECTRONICS,LTD

UCHENG® 深圳市裕诚电子有限公司
 ELECTRONICS SHENZHEN YUCHENG ELECTRONICS CO.,LTD

APPROVED:	WEI JIE
CHECKED:	HONG JIN YUN
DRAWING:	CHEN YA

GENERAL TOLERANCES	TITLE:	PUSHBUTTON SWITCHES		
30~以上 ±0.30	PART NO:	M8-1261D		
10~30 ±0.20	WEBSITE:	www.ycelectron.com		
5~10 ±0.15	REV: A	UNIT: mm	SCALE: /	SHEET: A4
~ 5 ±0.10				
SHEET: 1 / 1				