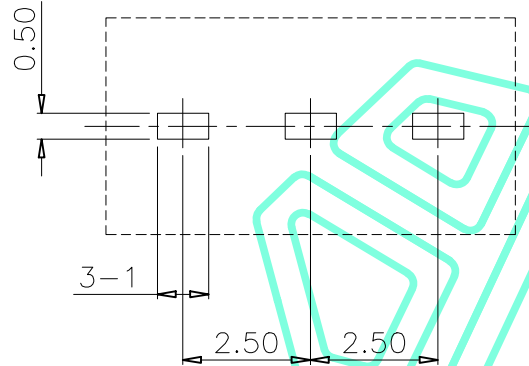
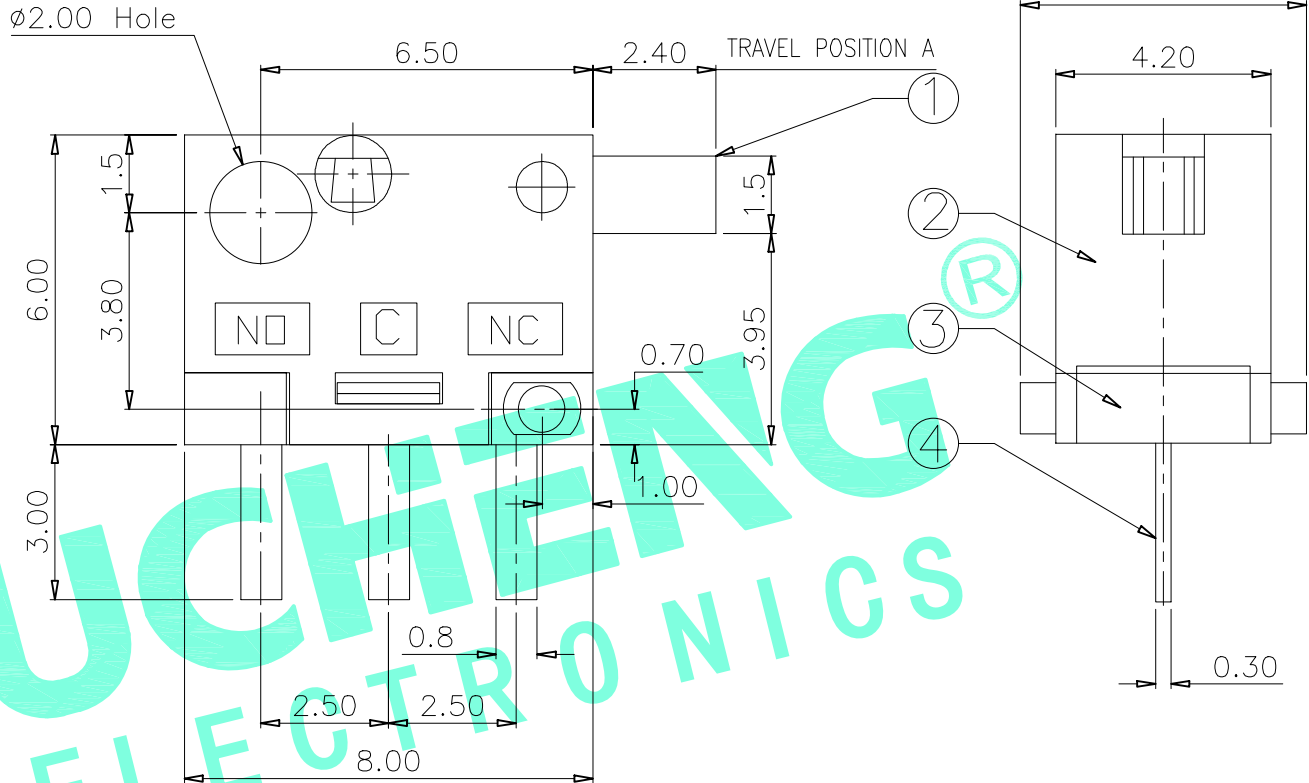
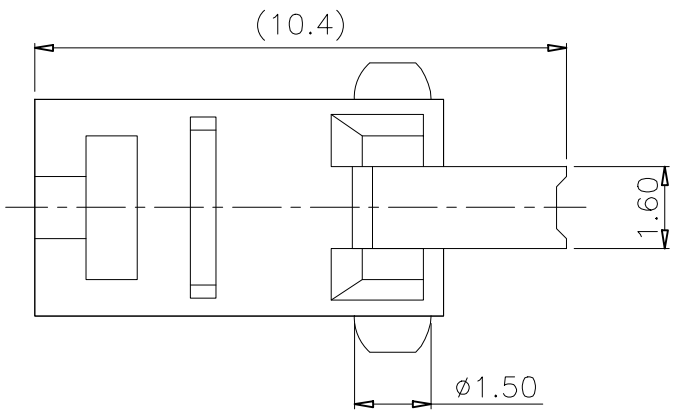
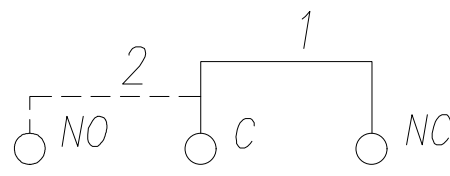


RoHS Compliant

REV. A/0	DESCRIPTION NEW	DESIGN CWF	DATE
----------	-----------------	------------	------



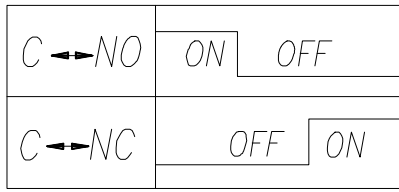
Hole Layout(top view)



Circuit Diagram

NOTE:
Operating Force: 60±20gf

SWITCHING SEQUENCE



0 0.8 1.5 2.4

TRAVEL POSITION A

⑥	Spring	1	SUS	Natural
⑤	Contact Spring	1	Phosphor Bronze	Ag Plated
④	Terminal	3	Phosphor Bronze	Ag Plated
③	Base	1	NYLON	Black
②	Cover	1	NYLON	Black
①	Knob	1	NYLON	White
ITEM	PART NAME	QTY.	MATERIAL	FINISHING

THESE DRAWINGS AND SPECIFICATIONS ARE THE PROPERTY OF SHENZHEN YUCHENG ELECTRONICS,LTD.AND SHALL NOT BE REPRODUCED,COPIED OR USED IN ANY MANNER WITHOUT THE PRIOR WRITTEN CONSENT OF SHENZHEN YUCHENG ELECTRONICS,LTD

APPROVED: WEI JIE
CHECKED: HONG JIN YUN
DRAWING: CHEN YA

YUCHENG ELECTRONICS 深圳市裕诚电子有限公司
SHENZHEN YUCHENG ELECTRONICS CO.,LTD

GENERAL TOLERANCES		TITLE: DETECTION SWITCH	
30~以上	±0.30	PART NO: M5-1672D	
10~30	±0.20	WEBSITE: www.ycelectron.com	
5~10	±0.15	REV: A	
~ 5	±0.10	UNIT: mm	SCALE: /
SHEET: 1 / 1		SHEET: A4	