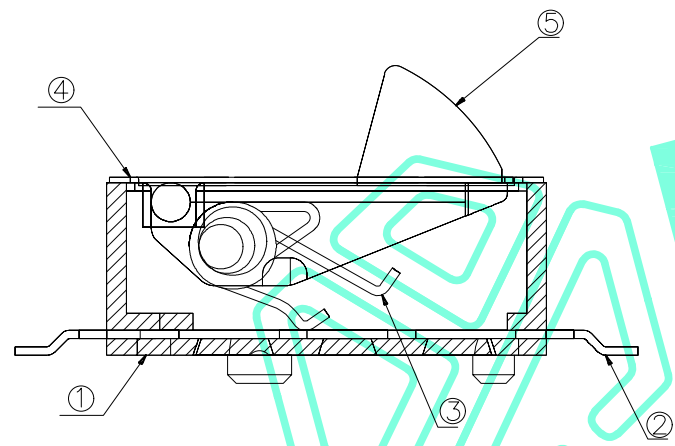
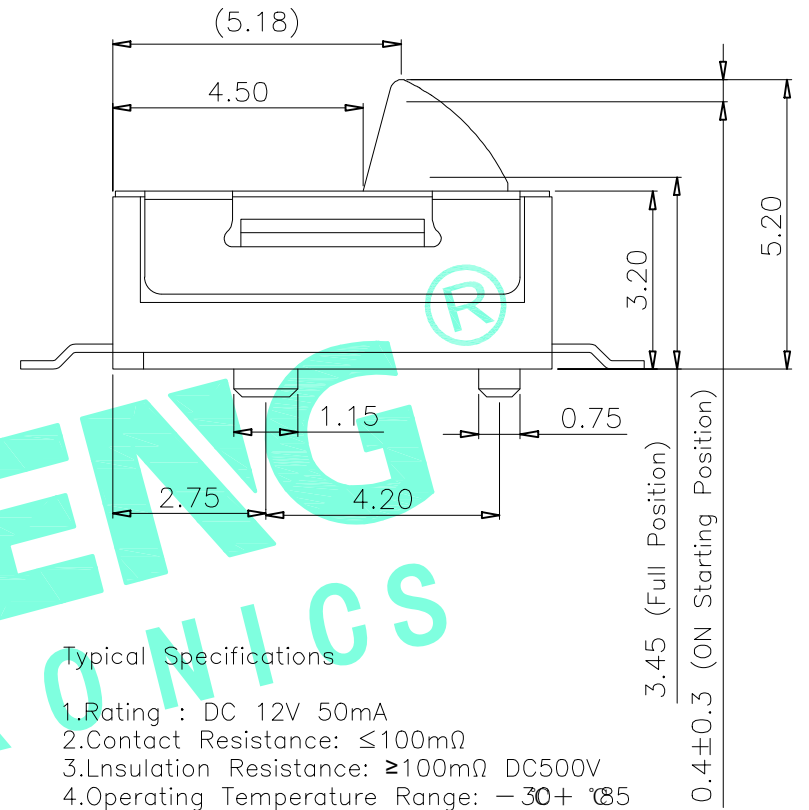
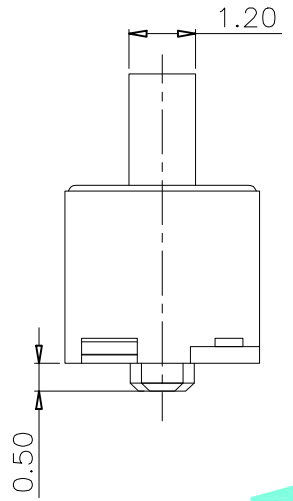
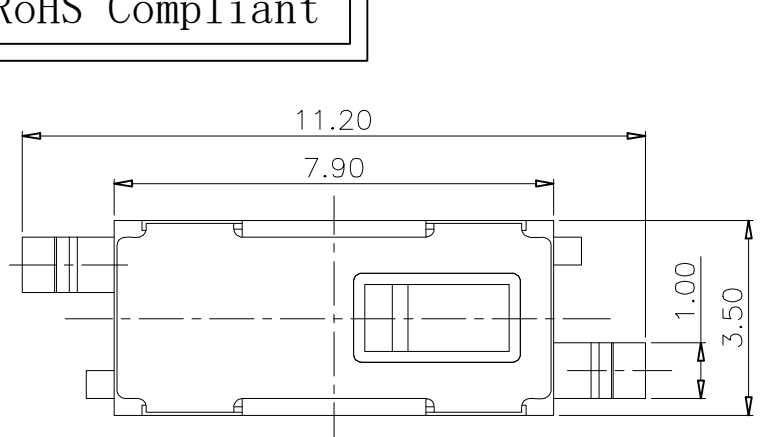


RoHS Compliant

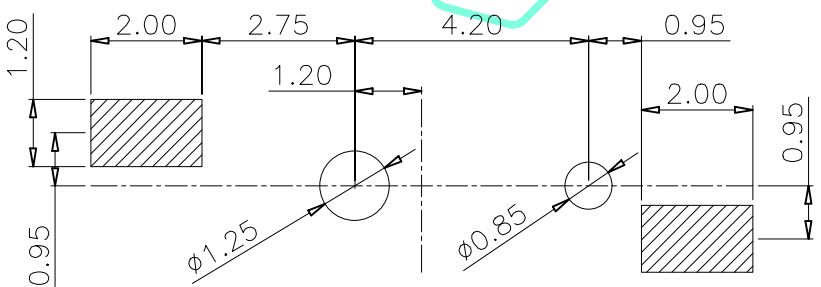
REV. A/0	DESCRIPTION NEW	DESIGN CWF	DATE
-------------	--------------------	---------------	------



Circuit Diagram

Typical Specifications

1. Rating : DC 12V 50mA
2. Contact Resistance: $\leq 100m\Omega$
3. Insulation Resistance: $\geq 100M\Omega$ DC500V
4. Operating Temperature Range: $-30+^{\circ}C$ 85
5. Ambient Humidity Used: $\leq 85\%RH$
6. Operating Force : 70gf \pm 40gf,
7. Life : 50,000 Cycles



PCB Layout(Pattern side)

ITEM	PART NAME	QTY.	MATERIAL	FINISHING
⑤	Knob	1	NYLON	Black
④	Cover	1	SUS	Natural
③	Contact Spring	1	Phosphor Bronze	Ag Plated
②	Terminal	4	Phosphor Bronze	Ag Plated
①	Base	1	LCP	Black

THESE DRAWINGS AND SPECIFICATIONS ARE THE PROPERTY OF SHENZHEN YUCHENG ELECTRONICS,LTD.AND SHALL NOT BE REPRODUCED,COPIED OR USED IN ANY MANNER WITHOUT THE PRIOR WRITTEN CONSENT OF SHENZHEN YUCHENG ELECTRONICS,LTD

APPROVED: WEI JIE
 CHECKED: HONG JIN YUN
 DRAWING: CHEN YA

UCHENG 深圳市裕诚电子有限公司
 ELECTRONICS SHENZHEN YUCHENG ELECTRONICS CO.,LTD

GENERAL TOLERANCES	TITLE:	DETECTION SWITCH		
30~以上 ± 0.30	PART NO:	M5-1618D		
10~30 ± 0.20	WEBSITE:	www.ycelectron.com		
5~10 ± 0.15	REV: A	UNIT: mm	SCALE: /	SHEET: A4
~ 5 ± 0.10	SHEET: 1 / 1			