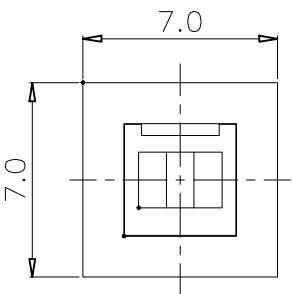
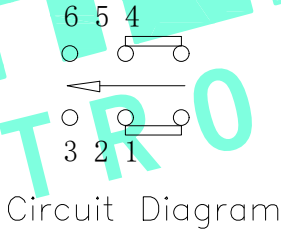
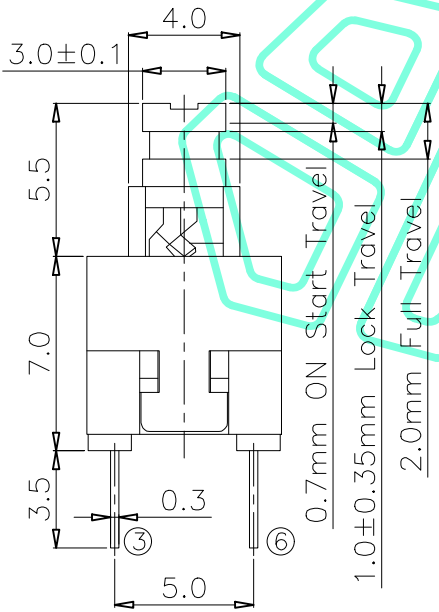
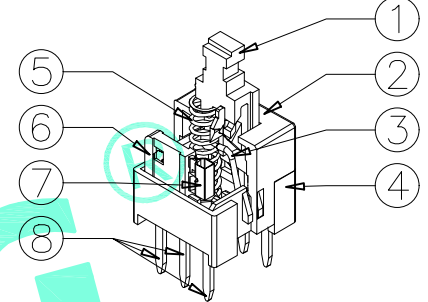
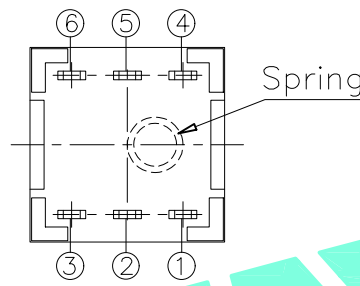
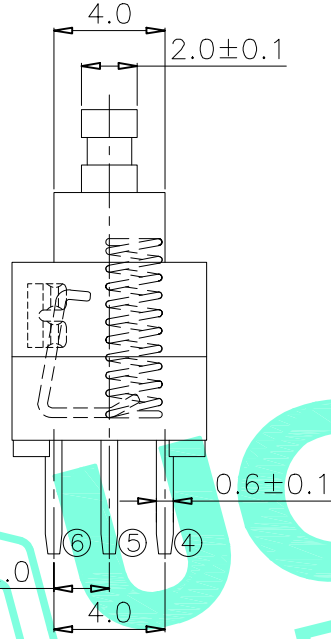
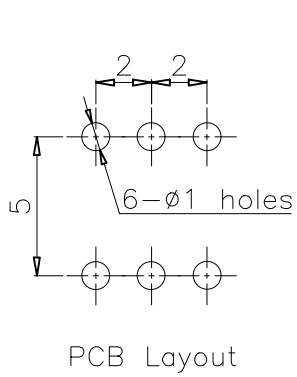


RoHS Compliant

REV. A/0	DESCRIPTION NEW	DESIGN CWF	DATE
-------------	--------------------	---------------	------



NO.	Operating Type	Part No.
1	Push To Lock	M8-1216E-D
2	Push No Lock	M8-1216E-W
3	Push No Sound No Lock	M8-1216E-J

ITEM	PART NAME	QTY.	MATERIAL	FINISHING
⑧	Terminal	6	Brass strip	Plating silver
⑦	Contact	2	Phosphor bronze	Plating silver
⑥	Securing glue	2	PA66	Black
⑤	Spring	1	SUS	Natural
④	Base	1	PA66	Black
③	Crochet Needle	1	SUS	Natural
②	Cover	1	POM	White
①	KNOB	1	POM	Blue

NOTE:  
 1. Operating Force: 230gf±50gf  
 2. Travel : 2.0±0.2mm

THESE DRAWINGS AND SPECIFICATIONS ARE THE PROPERTY OF SHENZHEN YUCHENG ELECTRONICS, LTD. AND SHALL NOT BE REPRODUCED, COPIED OR USED IN ANY MANNER WITHOUT THE PRIOR WRITTEN CONSENT OF SHENZHEN YUCHENG ELECTRONICS, LTD.

**YUCHENG ELECTRONICS** 深圳市裕诚电子有限公司  
 SHENZHEN YUCHENG ELECTRONICS CO.,LTD

APPROVED:	WEI JIE	TITLE:	PUSHBUTTON SWITCHES		
CHECKED:	HONG JIN YUN	PART NO.:	M8-1216E		
DRAWING:	CHEN YA	WEBSITE:	www.ycelectron.com		
GENERAL TOLERANCES		REV: A	UNIT: mm	SCALE: /	SHEET: A4
30~以上	±0.30				
10~30	±0.20				
5~10	±0.15				
~ 5	±0.10				
SHEET:	1 / 1				