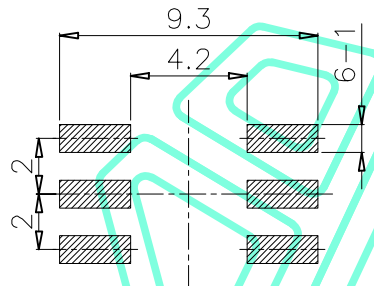
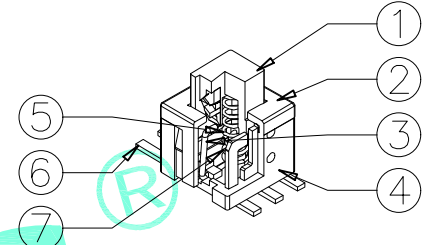
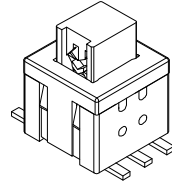
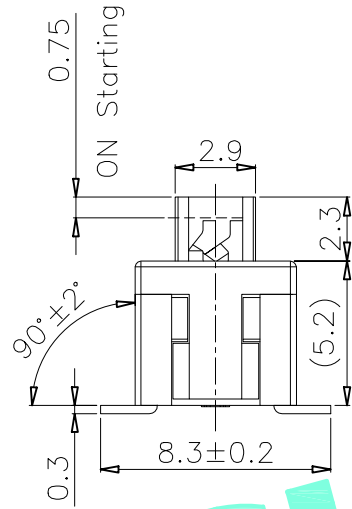
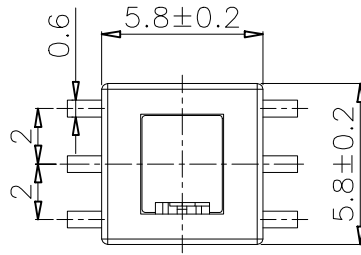


RoHS Compliant

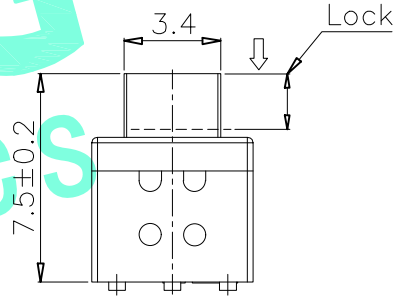
REV. A/0	DESCRIPTION NEW	DESIGN CWF	DATE
----------	-----------------	------------	------



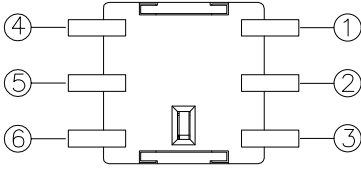
PCB Layout(Pattern Side)

NO.	Operating Type	Part No.
1	Push To Lock	M8-1228F-D
2	Push No Lock	M8-1228F-W
3	Push No Sound No Lock	M8-1228F-J

Circuit Diagram



NOTE:
1. Operating Force: 180gf±50gf



ITEM	PART NAME	QTY.	MATERIAL	FINISHING
⑦	Contact	2	Phosphor bronze	Plating silver
⑥	Terminal	6	Brass strip	Plating silver
⑤	Spring	1	SUS	Natural
④	Base	1	Nylon	Gray
③	Crochet Needle	1	SUS	Natural
②	Cover	1	POM	Black
①	KNOB	1	POM	White

THESE DRAWINGS AND SPECIFICATIONS ARE THE PROPERTY OF SHENZHEN YUCHENG ELECTRONICS,LTD.AND SHALL NOT BE REPRODUCED,COPIED OR USED IN ANY MANNER WITHOUT THE PRIOR WRITTEN CONSENT OF SHENZHEN YUCHENG ELECTRONICS,LTD

YUCHENG ELECTRONICS 深圳市裕诚电子有限公司
SHENZHEN YUCHENG ELECTRONICS CO.,LTD

APPROVED:	WEI JIE	GENERAL TOLERANCES	TITLE:	PUSHBUTTON SWITCHES		
CHECKED:	HONG JIN YUN	30~以上 ±0.30	PART NO:	M8-1228F		
DRAWING:	CHEN YA	10~30 ±0.20	WEBSITE :	www.ycelectron.com		
		5~10 ±0.15	REV: A	UNIT: mm	SCALE: /	SHEET: A4
		~ 5 ±0.10	SHEET: 1 / 1			