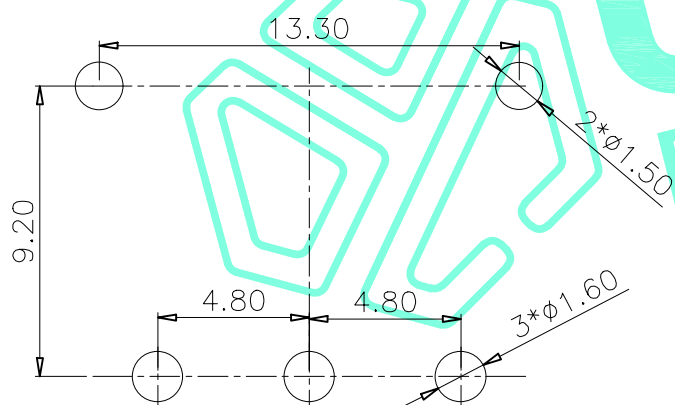
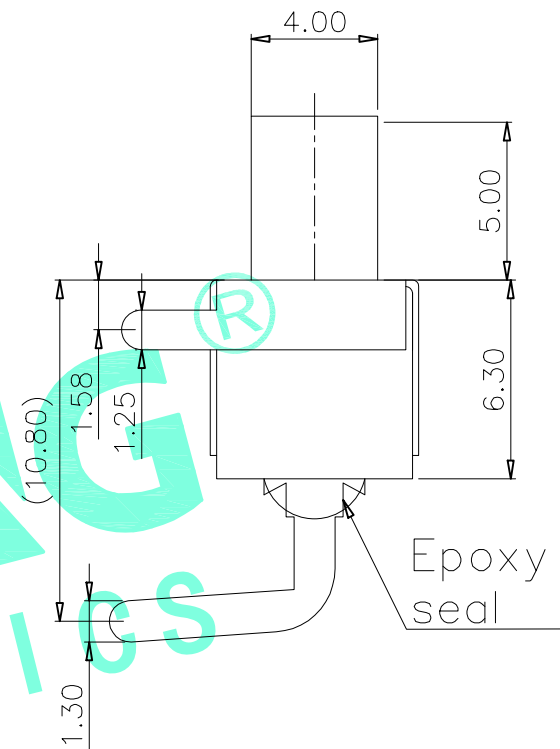
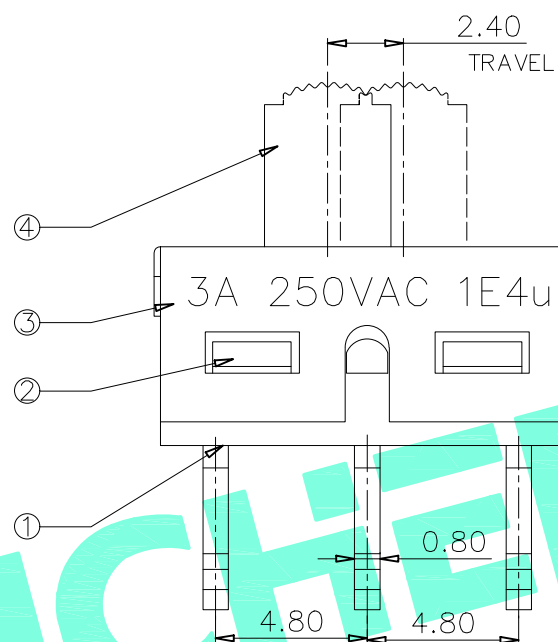
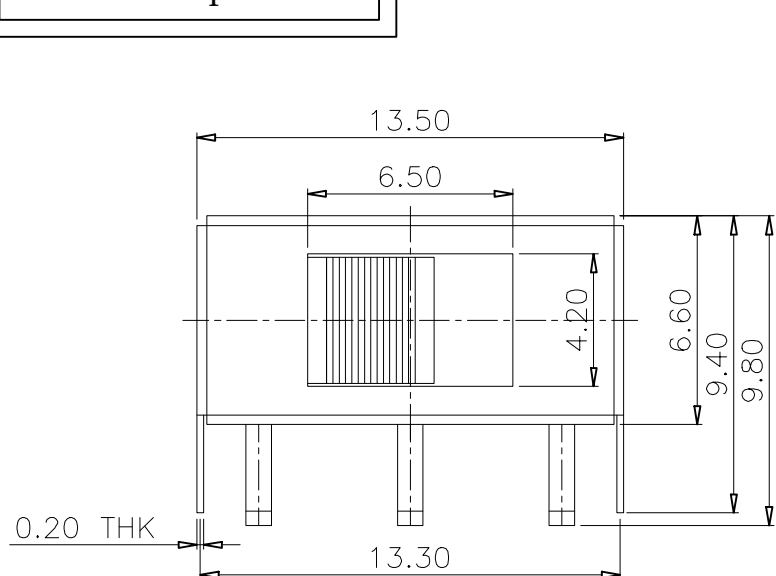
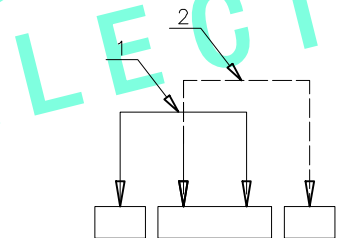


RoHS Compliant

REV. A/0	DESCRIPTION NEW	DESIGN CWF	DATE
----------	-----------------	------------	------



P.C.B layout



Schematic(Shorting)

ITEM	PART NAME	QTY.	MATERIAL	FINISHING
⑥	Spring	1	Stainless Steel	Natural
⑤	Contact Clip	1	PBS C5210R-EH	Ag Clad
④	Knob	1	PA	Black
③	Frame	1	SPCC	Ni Plated
②	Base	1	PA	RED
①	Terminal	3	Brass Strip	Ag Plated

Typical Specifications

- Rating : 3A 250V AC
- Insulation Resistance:1,000M min
- Operating force:300±150gf
- Operating Life : 30,000 cycles

THESE DRAWINGS AND SPECIFICATIONS ARE THE PROPERTY OF SHENZHEN YUCHENG ELECTRONICS,LTD.AND SHALL NOT BE REPRODUCED,COPIED OR USED IN ANY MANNER WITHOUT THE PRIOR WRITTEN CONSENT OF SHENZHEN YUCHENG ELECTRONICS,LTD



深圳市裕诚电子有限公司
SHENZHEN YUCHENG ELECTRONICS CO.,LTD

APPROVED:	WEI JIE
CHECKED:	HONG JIN YUN
DRAWING:	CHEN YA

GENERAL TOLERANCES		TITLE:	
30~以上	±0.30	TOGGLE SWITCH	
10~30	±0.20	PART NO:	
5~10	±0.15	M3-2236S	
~ 5	±0.10	WEBSITE :	
SHEET: 1 / 1		www.ycelectron.com	
REV: A	UNIT: mm	SCALE: /	SHEET: A4

