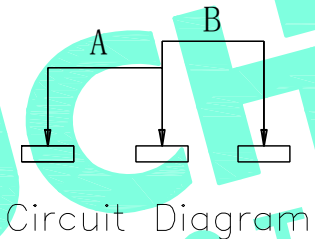
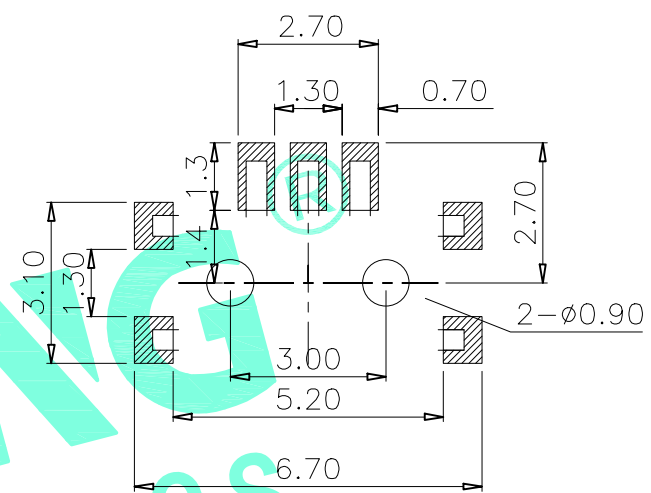
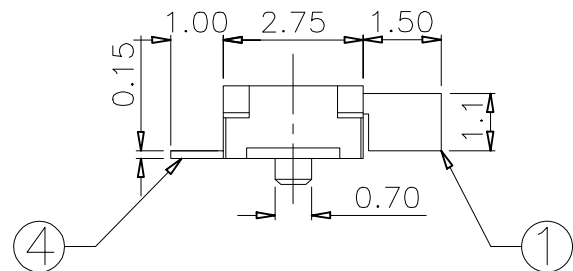
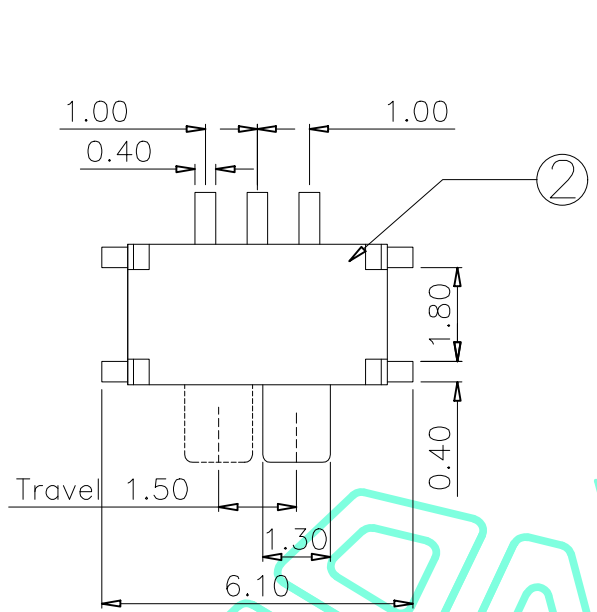
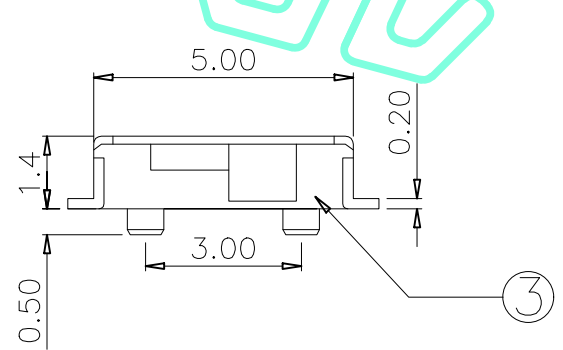


RoHS Compliant

REV. A/0	DESCRIPTION NEW	DESIGN CWF	DATE
-------------	--------------------	---------------	------



PCB Layout(Pattern side)



PART NO.	KNOB
M3-2568S-H	Black
M3-2568S-B	White

NOTE:Operating force:160±50gf

⑥	Spring Plate	1	SUS	Natural
⑤	Contact Spring	1	Beryllium copper	Ag Plated
④	Terminal	3	Brass Strip	Ag Plated
③	Base	1	NYLON	Black
②	Cover	1	Brass	Ag Plated
①	KNOB	1	NYLON	Black/White
ITEM	PART NAME	QTY.	MATERIAL	FINISHING

THESE DRAWINGS AND SPECIFICATIONS ARE THE PROPERTY OF SHENZHEN YUCHENG ELECTRONICS ,LTD.AND SHALL NOT BE REPRODUCED,COPIED OR USED IN ANY MANNER WITHOUT THE PRIOR WRITTEN CONSENT OF SHENZHEN YUCHENG ELECTRONICS.,LTD

APPROVED: WEI JIE
 CHECKED: HONG JIN YUN
 DRAWING: CHEN YA

UCHENG® 深圳市裕诚电子有限公司
 ELECTRONICS SHENZHEN YUCHENG ELECTRONICS CO.,LTD

GENERAL TOLERANCES

30~以上	±0.30
10~30	±0.20
5~10	±0.15
~ 5	±0.10

TITLE: TOGGLE SWITCH
 PART NO: M3-2568S
 WEBSITE: www.ycelectron.com
 REV: A UNIT: mm SCALE: / SHEET: A4