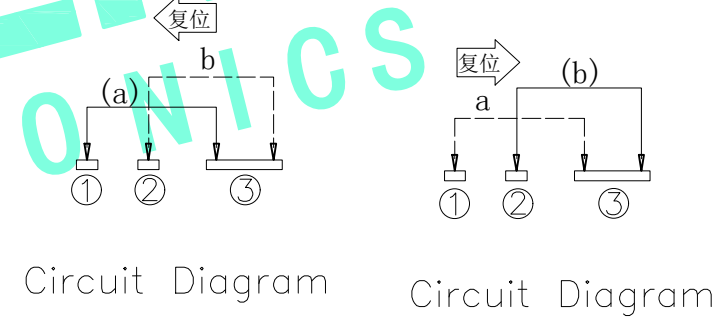
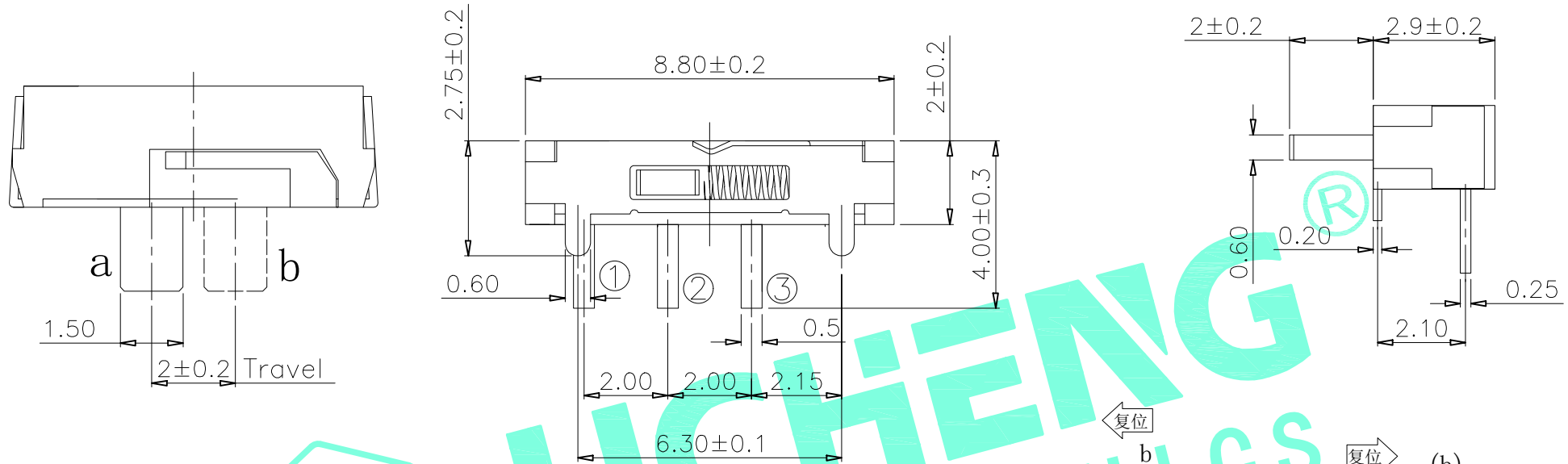


RoHS Compliant

| | | | |
|------|-------------|--------|------|
| REV. | DESCRIPTION | DESIGN | DATE |
| A/0 | NEW | CWF | |



Circuit Diagram Circuit Diagram

| ⑥ | Spring | 1 | SUS | Natural |
|------|----------------|------|------------------|-----------|
| ⑤ | Contact Spring | 1 | Beryllium copper | Ag Plated |
| ④ | Terminal | 3 | Brass Strip | Ag Plated |
| ③ | Base | 1 | NYLON | Black |
| ② | Cover | 1 | SUS | Natural |
| ① | KNOB | 1 | NYLON | White |
| ITEM | PART NAME | QTY. | MATERIAL | FINISHING |

PCB Layout(Top view)

NOTE:
Operating force: 150±100gf

THESE DRAWINGS AND SPECIFICATIONS ARE THE PROPERTY OF SHENZHEN YUCHENG ELECTRONICS, LTD. AND SHALL NOT BE REPRODUCED, COPIED OR USED IN ANY MANNER WITHOUT THE PRIOR WRITTEN CONSENT OF SHENZHEN YUCHENG ELECTRONICS, LTD.

APPROVED: WEI JIE
CHECKED: HONG JIN YUN
DRAWING: CHEN YA

UCHENG® 深圳市裕诚电子有限公司
SHENZHEN YUCHENG ELECTRONICS CO.,LTD

| | | | | |
|--------------------|--------------|--------------------|----------|-----------|
| GENERAL TOLERANCES | TITLE: | TOGGLE SWITCH | | |
| 30~以上 ±0.30 | PART NO: | M3-1565S | | |
| 10~30 ±0.20 | WEBSITE: | www.ycelectron.com | | |
| 5~10 ±0.15 | REV: A | UNIT: mm | SCALE: / | SHEET: A4 |
| ~ 5 ±0.10 | SHEET: 1 / 1 | | | |