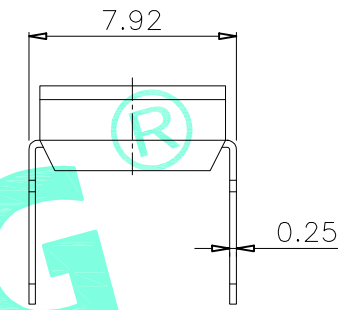
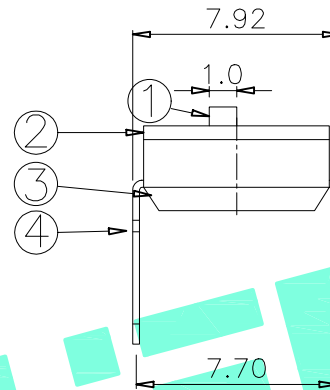
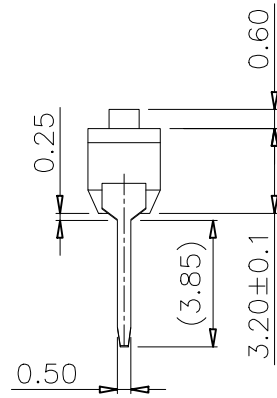
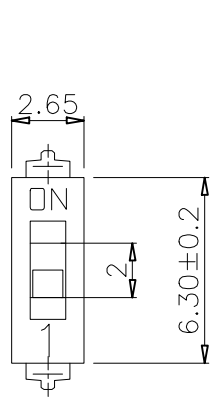
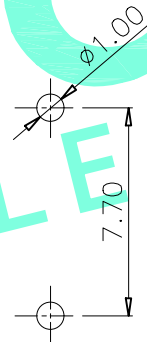
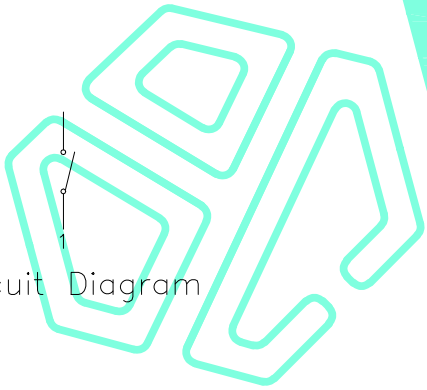


RoHS Compliant

REV. A/0	DESCRIPTION NEW	DESIGN CWF	DATE
-------------	--------------------	---------------	------



Circuit Diagram



PCB Layout(Pattern Side)

高推(G)

平推(P)

高推(G)	M6-QF01G
平推(P)	M6-QF01P

NOTE:

- 1.Rating: 24V 25mA DC
- 2.Insulation Resistance: ≥ 100 M Ω
- 3.Withstand voltage: AC 500V 1Minute
- 4.Operating Force Range: 800gf Max
- 5.Mechanical Life: 3,000 Cycles
- 6.Operating Temperature range $-20^{\circ}\text{C} \sim +70^{\circ}\text{C}$
- 7.Ambient Humidity used: $\leq 85\%$ RH

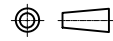
THESE DRAWINGS AND SPECIFICATIONS ARE THE PROPERTY OF SHENZHEN YUCHENG ELECTRONICS.,LTD.AND SHALL NOT BE REPRODUCED, COPIED OR USED IN ANY MANNER WITHOUT THE PRIOR WRITTEN CONSENT OF SHENZHEN YUCHENG ELECTRONICS.,LTD

APPROVED:	WEI JIE
CHECKED:	HONG JIN YUN
DRAWING:	CHEN YA

ITEM	PART NAME	QTY.	MATERIAL	FINISHING
④	Terminal		Phosphor bronze	Au Plating
③	Base	1	PBT	Black
②	Cover	1	PBT	Black
①	Keystoke		PBT	White

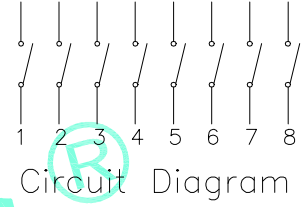
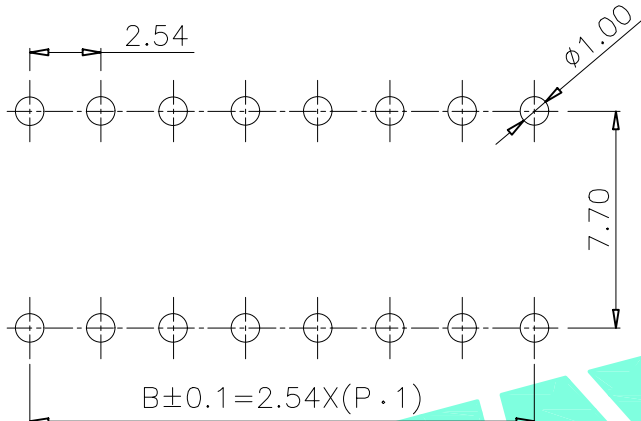
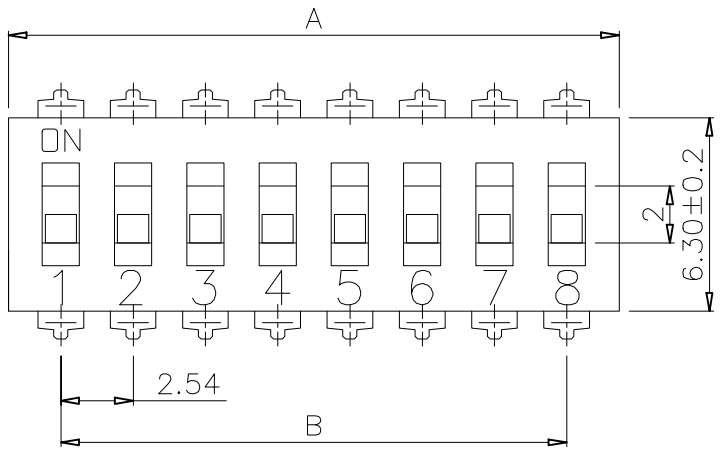

深圳市裕诚电子有限公司
 SHENZHEN YUCHENG ELECTRONICS CO.,LTD

GENERAL TOLERANCES	TITLE:	DIAL SWITCH SPACING2.54		
30~以上 ±0.30	PART NO:	M6-QF□□□		
10~30 ±0.20	WEBSITE:	www.ycelectron.com		
5~10 ±0.15	REV: A	UNIT: mm	SCALE: /	SHEET: A4
~ 5 ±0.10				
SHEET: 1 / 1				



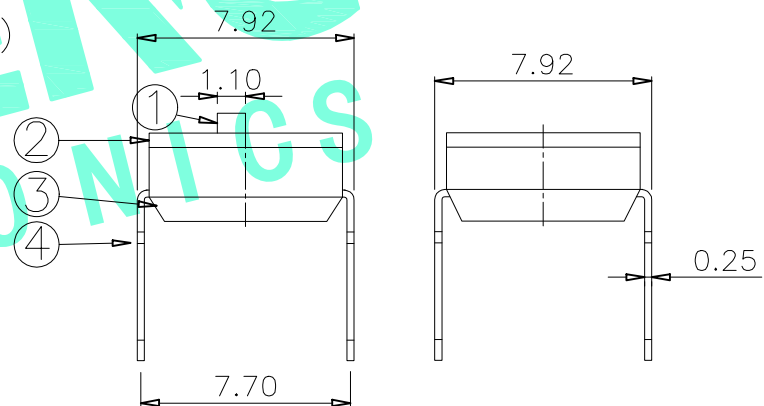
RoHS Compliant

REV. A/0	DESCRIPTION NEW	DESIGN CWF	DATE
----------	-----------------	------------	------



PCB Layout (Pattern Side)

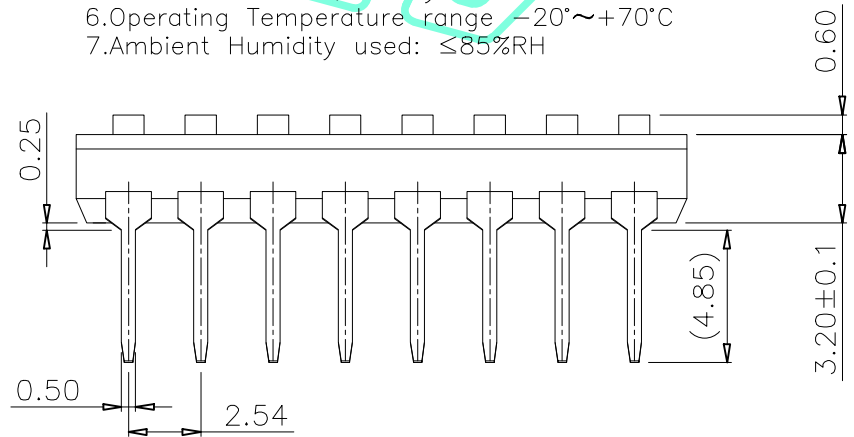
Position(位数)	2P	3P	4P	5P	6P	7P	8P	9P	10P	12P	
DIM.A(长度)	6.00	8.54	11.08	13.62	16.16	18.70	21.24	23.78	26.32	31.40	
DIM.B(长度)	2.54	5.08	7.62	10.16	12.70	15.24	17.78	20.32	22.86	27.94	
PART NO. 盖子/黑色	高推(G)	M6-QF02G	M6-QF03G	M6-QF04G	M6-QF05G	M6-QF06G	M6-QF07G	M6-QF08G	M6-QF09G	M6-QF10G	M6-QF12G
	平推(P)	M6-QF02P	M6-QF03P	M6-QF04P	M6-QF05P	M6-QF06P	M6-QF07P	M6-QF08P	M6-QF09P	M6-QF10P	M6-QF12P



高推(G)

平推(P)

- NOTE:
- 1.Rating: 24V 25mA DC
 - 2.Insulation Resistance: $\geq 100 \text{ M}\Omega$
 - 3.Withstand voltage: AC 500V 1Minute
 - 4.Operating Force Range: 800gf Max
 - 5.Mechanical Life: 3,000 Cycles
 - 6.Operating Temperature range: $-20^{\circ} \sim +70^{\circ} \text{C}$
 - 7.Ambient Humidity used: $\leq 85\% \text{RH}$



④	Terminal		Phosphor bronze	Au Plating
③	Base	1	PBT	Black
②	Cover	1	PBT	Black
①	Keystoke		PBT	White
ITEM	PART NAME	QTY.	MATERIAL	FINISHING

THESE DRAWINGS AND SPECIFICATIONS ARE THE PROPERTY OF SHENZHEN YUCHENG ELECTRONICS,LTD.AND SHALL NOT BE REPRODUCED,COPIED OR USED IN ANY MANNER WITHOUT THE PRIOR WRITTEN CONSENT OF SHENZHEN YUCHENG ELECTRONICS,LTD

APPROVED: WEI JIE
 CHECKED: HONG JIN YUN
 DRAWING: CHEN YA

YUCHENG ELECTRONICS 深圳市裕诚电子有限公司
 SHENZHEN YUCHENG ELECTRONICS CO.,LTD

GENERAL TOLERANCES
 30~以上 ±0.30
 10~30 ±0.20
 5~10 ±0.15
 ~ 5 ±0.10

TITLE: DIAL SWITCH SPACING2.54
 PART NO: M6-QF□□□□
 WEBSITE: www.ycelectron.com
 REV: A UNIT: mm SCALE: / SHEET: A4